

AUSTRIA | MOLTO LUCE GMBH

HEADQUARTERS WELS
Office & Showroom
Europastraße 45
4600 Wels
T: +43 7242 698-0
M: office@moltoluce.com

VIENNA
Office & Showroom
Vorarlberger Allee 28
1230 Vienna
T: +43 1 6160300
M: office.wien@moltoluce.com

GRAZ
Office
Robert-Viertl-Straße 2
8055 Graz
T: +43 316 672525-0
M: office.graz@moltoluce.com

INNSBRUCK
Office
Orbis Office, Resselstraße 33 / Top 5
6020 Innsbruck
T: +43 512 345688
M: office.innsbruck@moltoluce.com

GERMANY | MOLTO LUCE GMBH

MUNICH
Office & Showroom
Walter-Gropius-Straße 23
80807 Munich
T: +49 89 4520565-0
M: office.muenchen@moltoluce.com

COLOGNE
Office & Showroom
Gut Maarhausen, Eiler Straße 3v
51107 Cologne
T: +49 221 222882-0
M: office.koeln@moltoluce.com

HAMBURG
Office & Showroom
Wandsbeker Allee 77
22041 Hamburg
T: +49 40 2847850-1
M: office.hamburg@moltoluce.com

ITALY | MOLTO LUCE srl

BRESCIA
Office
Viale Duca D' Aosta 28
25121 Brescia
T: +39 030 2400679
M: office.brescia@moltoluce.com

SWITZERLAND | MOLTO LUCE AG

LENZBURG
Office
Niederlenzerstraße 25
5600 Lenzburg
T: +41 62 885 70 30
M: office.lenzburg@moltoluce.com

www.moltoluce.com

Allgemeine Verkaufsbedingungen:

Mit dieser Preisliste verlieren alle bisherigen Preislisten Ihre Gültigkeit. Wir liefern ausschließlich nach unseren, Ihnen bekannten Liefer- und Verkaufsbedingungen. Die Ware bleibt bis zur vollständigen Bezahlung unser Eigentum. Preisänderung und Druckfehlerkorrektur vorbehalten.

Terms and conditions:

This pricelist replaces all previous lists. All deliveries under our known terms and sales conditions. Goods will remain our property until full pending payment. Prices are subject to change without prior notice, errors excepted.

VOLARE TRACK

20 / 21

BRUTTOPREISLISTE / PUBLIC PRICE LIST

exkl. MwSt. / excl. VAT

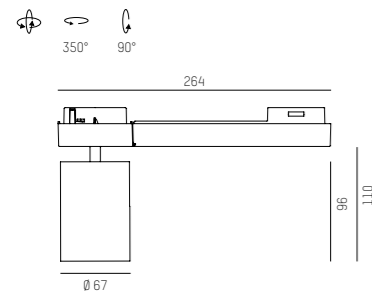
gültig ab 01.06.2020 bis zum Erscheinen einer neuen Preisliste
valid from 01.06.2020 till a new pricelist is available



V_1_003

MOLTO LUCE®

MOLTO LUCE®



MOVA S BASIC VOLARE

LOXONE Ready

220-240V AC · Binning SDCM 3

POWER / CODE	REFL.	W2	W3	W4	EURO SWITCHABLE	EURO ZIGBEE	EURO LOXONE
SYS 8W							
495-22CXb12WWXXY	17°	760lm	850lm	930lm	189,-	279,-	315,-
495-22CXb13WWXXY	24°	760lm	850lm	930lm	189,-	279,-	315,-
495-22CXb14WWXXY	40°	760lm	850lm	930lm	189,-	279,-	315,-
SYS 16W							
495-22CXc12WWXXY	17°	1440lm	1610lm	1770lm	189,-	279,-	315,-
495-22CXc13WWXXY	24°	1440lm	1610lm	1770lm	189,-	279,-	315,-
495-22CXc14WWXXY	40°	1440lm	1610lm	1770lm	189,-	279,-	315,-

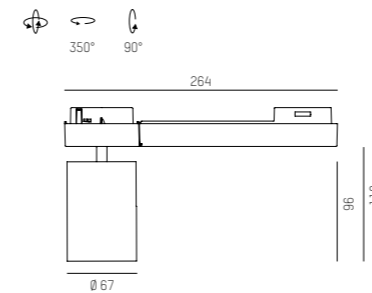
Lumeninfo ohne Glas
Lumeninfo without glass

Preis inkl. Glas: + 3 Euro
Price incl. glass: + 3 Euro

Zubehör, Sensor, Farbkombinationen und Sonderlichtfarben abrufbar über unseren MOVA Konfigurator auf www.moltoluce.com
Accessories, sensor, colour combinations and special light colours available via our MOVA configurator on www.moltoluce.com

ARTIKELNUMMER ERGÄNZEN / COMPLETE CODE

C = COVER	WW = LICHTFARBE/LIGHT COLOUR	X.....XX = FARBE/COLOUR	Y = DIMMBAR/DIMMABLE
without glass = 0 with glass = 1	W2 LED 2700K = 43 PREMIUM CRI >90 W3 LED 3000K = 49 PREMIUM CRI >90 W4 LED 4000K = 24 CRI >90	SM silver matt = 4.....44 W white = 5.....55 S black = 6.....66	Ⓢ switchable = 0 Ⓛ LOXONE AIR dimm = r Ⓩ Zigbee dimm = z



MOVA S DARK VOLARE

LOXONE Ready

220-240V AC · Binning SDCM 3

POWER / CODE	REFL.	W2	W3	W4	EURO SWITCHABLE	EURO ZIGBEE	EURO LOXONE
SYS 8W							
495-22CXb62WWXXY	17°	390lm	440lm	480lm	203,-	293,-	329,-
495-22CXb63WWXXY	24°	440lm	490lm	540lm	197,-	287,-	323,-
495-22CXb64WWXXY	40°	500lm	570lm	620lm	197,-	287,-	323,-
SYS 16W							
495-22CXc62WWXXY	17°	730lm	820lm	900lm	203,-	293,-	329,-
495-22CXc63WWXXY	24°	830lm	930lm	1020lm	197,-	287,-	323,-
495-22CXc64WWXXY	40°	950lm	1070lm	1170lm	197,-	287,-	323,-

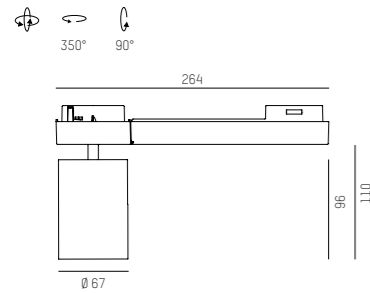
Lumeninfo ohne Glas
Lumeninfo without glass

Preis inkl. Glas: + 3 Euro
Price incl. glass: + 3 Euro

Zubehör, Sensor, Farbkombinationen und Sonderlichtfarben abrufbar über unseren MOVA Konfigurator auf www.moltoluce.com
Accessories, sensor, colour combinations and special light colours available via our MOVA configurator on www.moltoluce.com

ARTIKELNUMMER ERGÄNZEN / COMPLETE CODE

C = COVER	WW = LICHTFARBE/LIGHT COLOUR	X.....XX = FARBE/COLOUR	Y = DIMMBAR/DIMMABLE
without glass = 0 with glass = 1	W2 LED 2700K = 43 PREMIUM CRI >90 W3 LED 3000K = 49 PREMIUM CRI >90 W4 LED 4000K = 24 CRI >90	SM silver matt = 4.....44 W white = 5.....55 S black = 6.....66	Ⓢ switchable = 0 Ⓛ LOXONE AIR dimm = r Ⓩ Zigbee dimm = z



MOVA S LENS VOLARE

LOXONE Ready

220-240V AC - Binning SDCM 3

POWER / CODE	LENS	W2	W3	W4	EURO SWITCHABLE	EURO ZIGBEE	EURO LOXONE
SYS 8W							
495-220Xb31WWXXY	110°	620lm	700lm	770lm	200,-	290,-	326,-
495-220Xb32WWXXY	117°	690lm	770lm	850lm	195,-	285,-	321,-
495-220Xb33WWXXY	124°	690lm	770lm	850lm	195,-	285,-	321,-
495-220Xb34WWXXY	140°	690lm	770lm	850lm	195,-	285,-	321,-
SYS 16W							
495-220Xc31WWXXY	110°	1180lm	1320lm	1450lm	200,-	290,-	326,-
495-220Xc32WWXXY	117°	1300lm	1460lm	1600lm	195,-	285,-	321,-
495-220Xc33WWXXY	124°	1300lm	1460lm	1600lm	195,-	285,-	321,-
495-220Xc34WWXXY	140°	1300lm	1460lm	1600lm	195,-	285,-	321,-

Zubehör, Sensor, Farbkombinationen und Sonderlichtfarben abrufbar über unseren MOVA Konfigurator auf www.moltoluce.com
 Accessories, sensor, colour combinations and special light colours available via our MOVA configurator on www.moltoluce.com

ARTIKELNUMMER ERGÄNZEN / COMPLETE CODE

WW = LICHTFARBE/LIGHT COLOUR

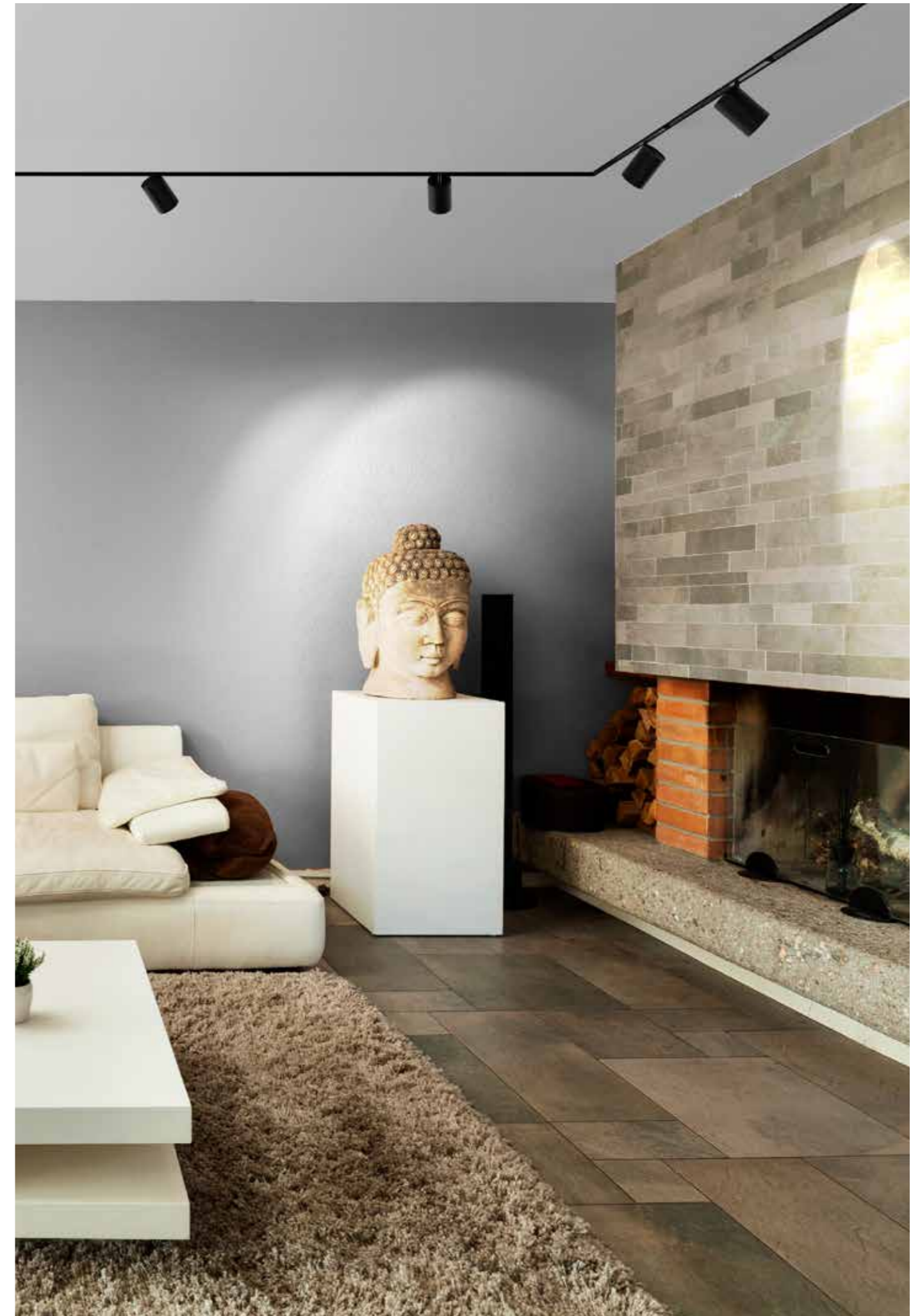
X.....XX = FARBE/COLOUR

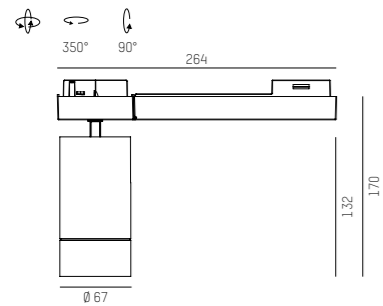
Y = DIMMBAR/DIMMABLE

- W2 LED 2700K = 43 PREMIUM CRI >90
- W3 LED 3000K = 49 PREMIUM CRI >90
- W4 LED 4000K = 24 CRI >90

- SM silver matt = 4.....44
- W white = 5.....55
- S black = 6.....66

- Ⓢ switchable = 0
- Ⓛ LOXONE AIR dimm = r
- Ⓩ Zigbee dimm = z





MOVA S L BASIC VOLARE

LOXONE Ready

220-240V AC - Binning SDCM 3

POWER / CODE	REFL.	W2	W3	W4	EURO SWITCHABLE	EURO ZIGBEE	EURO LOXONE
SYS 8W							
495-26CXb12WWXXY	17°	360lm	400lm	430lm	204,-	294,-	330,-
495-26CXb13WWXXY	24°	360lm	400lm	430lm	204,-	294,-	330,-
495-26CXb14WWXXY	40°	360lm	400lm	430lm	204,-	294,-	330,-
SYS 16W							
495-26CXc12WWXXY	17°	670lm	750lm	820lm	204,-	294,-	330,-
495-26CXc13WWXXY	24°	670lm	750lm	820lm	204,-	294,-	330,-
495-26CXc14WWXXY	40°	670lm	750lm	820lm	204,-	294,-	330,-

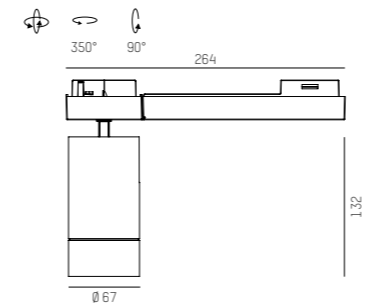
Lumeninfo ohne Glas
Lumeninfo without glass

Preis inkl. Glas: + 3 Euro
Price incl. glass: + 3 Euro

Zubehör, Sensor, Farbkombinationen und Sonderlichtfarben abrufbar über unseren MOVA Konfigurator auf www.moltoluce.com
Accessories, sensor, colour combinations and special light colours available via our MOVA configurator on www.moltoluce.com

ARTIKELNUMMER ERGÄNZEN / COMPLETE CODE

C = COVER	WW = LICHTFARBE/LIGHT COLOUR	X.....XX = FARBE/COLOUR	Y = DIMMBAR/DIMMABLE
without glass = 0 with glass = 1	W2 LED 2700K = 43 PREMIUM CRI >90 W3 LED 3000K = 49 PREMIUM CRI >90 W4 LED 4000K = 24 CRI >90	SM silver matt = 4.....44 W white = 5.....55 S black = 6.....66	Ⓢ switchable = 0 Ⓛ LOXONE AIR dimm = r Ⓩ Zigbee dimm = z



MOVA S L DARK VOLARE

LOXONE Ready

220-240V AC - Binning SDCM 3

POWER / CODE	REFL.	W2	W3	W4	EURO SWITCHABLE	EURO ZIGBEE	EURO LOXONE
SYS 8W							
495-26CXb62WWXXY	17°	200lm	230lm	250lm	217,-	307,-	343,-
495-26CXb63WWXXY	24°	210lm	230lm	260lm	212,-	302,-	338,-
495-26CXb64WWXXY	40°	180lm	210lm	230lm	212,-	302,-	338,-
SYS 16W							
495-26CXc62WWXXY	17°	370lm	420lm	460lm	217,-	307,-	343,-
495-26CXc63WWXXY	24°	390lm	440lm	480lm	212,-	302,-	338,-
495-26CXc64WWXXY	40°	340lm	390lm	420lm	212,-	302,-	338,-

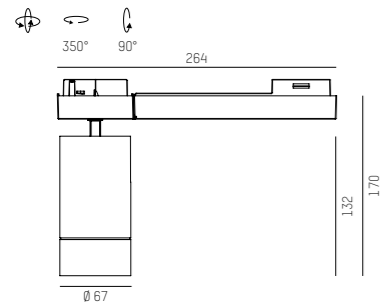
Lumeninfo ohne Glas
Lumeninfo without glass

Preis inkl. Glas: + 3 Euro
Price incl. glass: + 3 Euro

Zubehör, Sensor, Farbkombinationen und Sonderlichtfarben abrufbar über unseren MOVA Konfigurator auf www.moltoluce.com
Accessories, sensor, colour combinations and special light colours available via our MOVA configurator on www.moltoluce.com

ARTIKELNUMMER ERGÄNZEN / COMPLETE CODE

C = COVER	WW = LICHTFARBE/LIGHT COLOUR	X.....XX = FARBE/COLOUR	Y = DIMMBAR/DIMMABLE
without glass = 0 with glass = 1	W2 LED 2700K = 43 PREMIUM CRI >90 W3 LED 3000K = 49 PREMIUM CRI >90 W4 LED 4000K = 24 CRI >90	SM silver matt = 4.....44 W white = 5.....55 S black = 6.....66	Ⓢ switchable = 0 Ⓛ LOXONE AIR dimm = r Ⓩ Zigbee dimm = z



MOVA S L LENS VOLARE

LOXONE Ready

220-240V AC · Binning SDCM 3

POWER / CODE	LENS	W2	W3	W4	EURO SWITCHABLE	EURO ZIGBEE	EURO LOXONE
SYS 8W							
495-270Xb31WWXXY	110°	590lm	660lm	730lm	215,-	305,-	341,-
495-270Xb32WWXXY	117°	590lm	660lm	730lm	210,-	300,-	336,-
495-270Xb33WWXXY	124°	590lm	660lm	730lm	210,-	300,-	336,-
495-270Xb34WWXXY	140°	590lm	660lm	730lm	210,-	300,-	336,-
SYS 16W							
495-270Xc31WWXXY	110°	1120lm	1250lm	1370lm	215,-	305,-	341,-
495-270Xc32WWXXY	117°	1120lm	1250lm	1370lm	210,-	300,-	336,-
495-270Xc33WWXXY	124°	1120lm	1250lm	1370lm	210,-	300,-	336,-
495-270Xc34WWXXY	140°	1120lm	1250lm	1370lm	210,-	300,-	336,-

Zubehör, Sensor, Farbkombinationen und Sonderlichtfarben abrufbar über unseren MOVA Konfigurator auf www.moltoluce.com
 Accessories, sensor, colour combinations and special light colours available via our MOVA configurator on www.moltoluce.com

ARTIKELNUMMER ERGÄNZEN / COMPLETE CODE

WW = LICHTFARBE/LIGHT COLOUR

X.....XX = FARBE/COLOUR

Y = DIMMBAR/DIMMABLE

- W2 LED 2700K = 43 PREMIUM CRI >90
- W3 LED 3000K = 49 PREMIUM CRI >90
- W4 LED 4000K = 24 CRI >90

- SM silver matt = 4.....44
- W white = 5.....55
- S black = 6.....66

- Ⓢ switchable = 0
- Ⓛ LOXONE AIR dimm = r
- Ⓩ Zigbee dimm = z

