

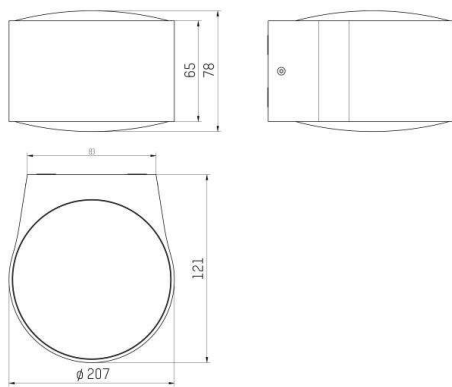
FOCO

100-01190740

FOCO W SURFACE MOUNTED WALL LUMINAIRE made of aluminium, silver, similar to RAL 7042, high quality glass lens beam 100°, light output direct / indirect, dimmability: not dimmable, IP54



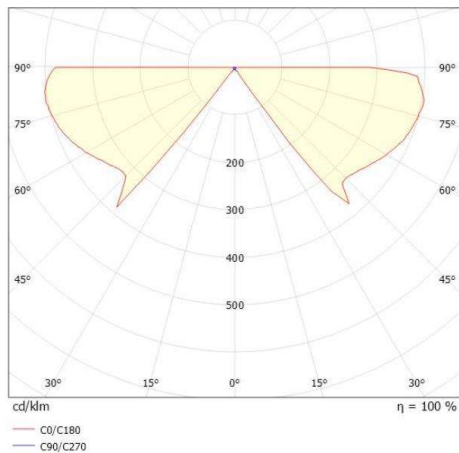
DRAWING



TECHNICAL DETAILS

System perform. [W]	9
Bulb type	LED
Luminous flux [lm]	550
Colour temp. [K]	3000K
CRI	>80
Optics	high quality glass lens
Dimming	not dimmable
Light output	direct / indirect
Beam angle [°]	100°
Voltage [V]	220-240V 50/60Hz
Material	aluminium
Length [mm]	121
Width [mm]	107
Height [mm]	65
IP protection class	IP54
Voltage class	protection cl. I
Shock resistance	IK10
Net weight [kg]	8,00
Colour lamp	silver
RAL	7042
EAN-Number	9010506456660
Lifetime [h]	L80 B10 20 000
Energy efficiency cl.	F

LIGHT DISTRIBUTION CURVE



The values are rated values. Power and luminous flux are initially subject to a tolerance of +/- 10%. Colour temperature tolerance: +/- 150 K. The values apply to an ambient temperature of 25°C unless otherwise specified.