

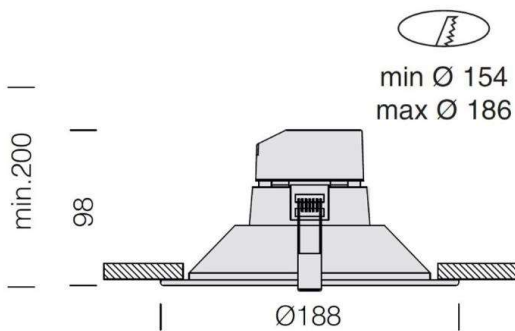
**SPEAKER 1**

**121-2208441100**

SPEAKER LED RECESSED DOWNLIGHT made of aluminium, white, satined PMMA opal diffuser beam 100°, light output direct, with converter, dimmable not dimmable, IP20



**DRAWING**



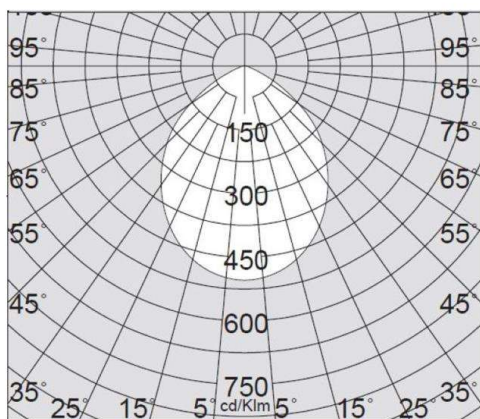
**TECHNICAL DETAILS**

System perform. [W]	14
Bulb type	LED
Luminous flux [lm]	1300
Colour temp. [K]	4000K
CRI	>80
Optics	PMMA opal diffuser
Converter	with converter
Dimming	not dimmable
Light output	direct
Beam angle [°]	100°
Voltage [V]	220-240V 50/60Hz
Material	aluminium

Height [mm]	74
Diameter [mm]	188
Ceiling cutout [mm]	154-182
Recess depth [mm]	94
IP protection class	IP20
Voltage class	protection cl. II
Shock resistance	IK04
Net weight [kg]	0,25

Color lamp	white
EAN-Number	8016535082321
Lifetime [h]	30 000

**LIGHT DISTRIBUTION CURVE**



The values are rated values. Power and luminous flux are initially subject to a tolerance of +/- 10%. Colour temperature tolerance: +/- 150 K. The values apply to an ambient temperature of 25°C unless otherwise specified.