

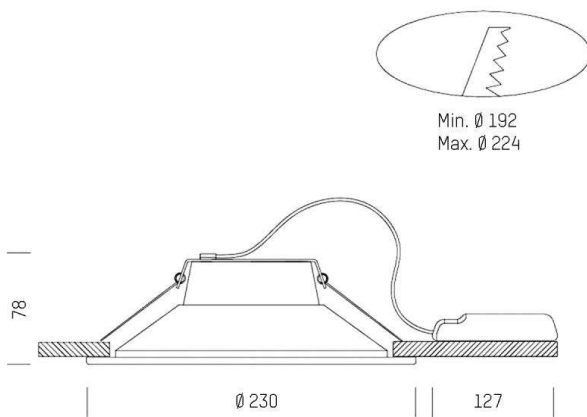
SPEAKER 2 MIRROR

121-2208441800

SPEAKER MIRROR RECESSED DOWNLIGHT made of aluminium, white,high-efficiently vacuum deposited aluminium reflector beam 100°, light output direct, with converter, dimmability: not dimmable, IP40/IP20



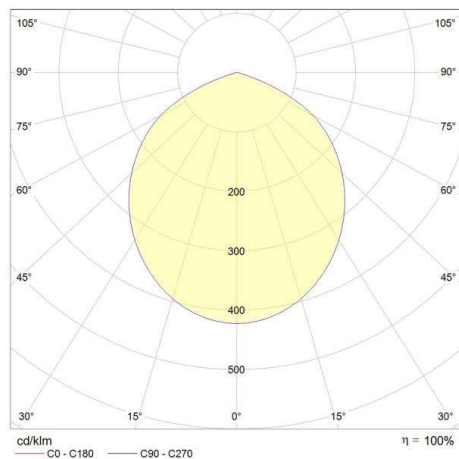
DRAWING



TECHNICAL DETAILS

System perform. [W]	25
Bulb type	LED
Luminous flux [lm]	2205
Colour temp. [K]	4000K
CRI	>80
Optics	vacuum deposited aluminium reflector
Converter	with converter
Dimming	not dimmable
Light output	direct
Beam angle [°]	100°
Voltage [V]	220-240V 50/60Hz
Material	aluminium
Height [mm]	82
Diameter [mm]	230
Ceiling cutout [mm]	192-224
Ceiling thickness [mm]	1-40
Recess depth [mm]	102
IP protection class	IP40/IP20
Voltage class	protection cl. II
Shock resistance	IK04
Net weight [kg]	0,36
Colour lamp	white
EAN-Number	8016535111410
Lifetime [h]	30 000

LIGHT DISTRIBUTION CURVE



The values are rated values. Power and luminous flux are initially subject to a tolerance of +/- 10%. Colour temperature tolerance: +/- 150 K. The values apply to an ambient temperature of 25°C unless otherwise specified.