

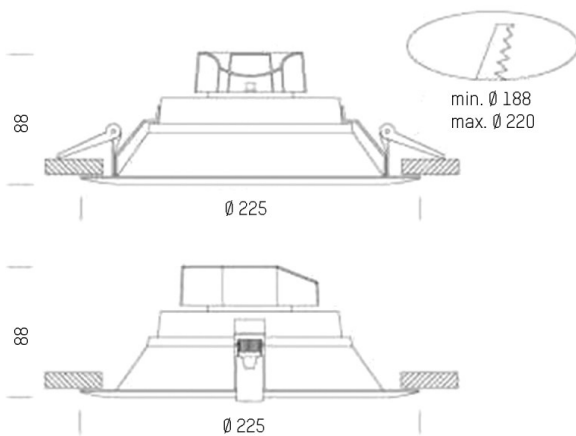
SPEAKER 3

121-2208471000

SPEAKER 3 B RECESSED DOWNLIGHT made of aluminium, white, satined PMMA opal diffuser beam 100°, light output direct, with converter, dimmability: not dimmable, IP20



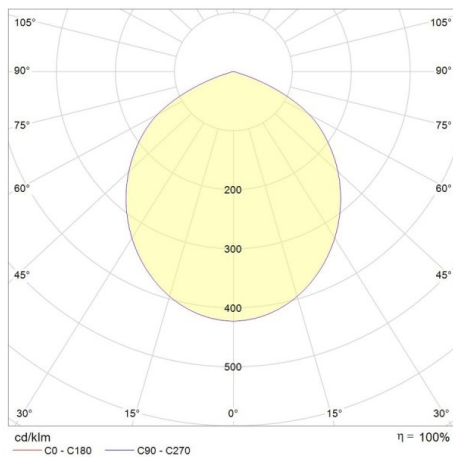
DRAWING



TECHNICAL DETAILS

System perform. [W]	23
Bulb type	LED
Luminous flux [lm]	1952
Colour temp. [K]	3000K
CRI	>80
Optics	PMMA opal diffuser
Converter	with converter
Dimming	not dimmable
Light output	direct
Beam angle [°]	100°
Voltage [V]	220-240V 50/60Hz
Material	aluminium
Height [mm]	88
Diameter [mm]	225
Ceiling cutout [mm]	190-220
Ceiling thickness [mm]	1-25
Recess depth [mm]	118
IP protection class	IP20
Voltage class	protection cl. II
Shock resistance	IK07
Net weight [kg]	0,36
Colour lamp	white
EAN-Number	8016535089542
Lifetime [h]	25 000
Energy efficiency cl.	F

LIGHT DISTRIBUTION CURVE



The values are rated values. Power and luminous flux are initially subject to a tolerance of +/- 10%. Colour temperature tolerance: +/- 150 K. The values apply to an ambient temperature of 25°C unless otherwise specified.