

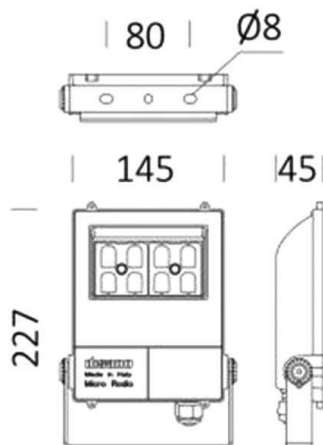
**MICRO RODIO ASYMMETRIC**

**125-41487000**

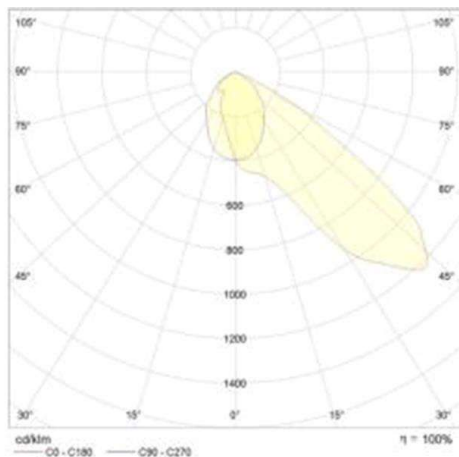
MICRO RODIO L ASYM FLOODLIGHTS made of aluminium, graphite, transparent glass beam asymmetric, light output direct, tilting 90°, with converter, dimmable not dimmable, cable black, IP66



**DRAWING**



**LIGHT DISTRIBUTION CURVE**



**TECHNICAL DETAILS**

System perform. [W]	28
Bulb type	LED
Luminous flux [lm]	3118
Colour temp. [K]	4000K
CRI	>80
Optics	transparent glass
Converter	with converter
Dimming	nicht dimmbar
Light output	direct
Beam angle [°]	asymmetrisch
Voltage [V]	220-240V 50/60Hz
Material	aluminium

Length [mm]	145
Width [mm]	45
Height [mm]	227
IP protection class	IP66
Voltage class	protection cl. I
Shock resistance	IK08
Net weight [kg]	1,17

Color lamp	graphite
Electric wire	black
EAN-Number	8012952151466
Lifetime [h]	50 000



The values are rated values. Power and luminous flux are initially subject to a tolerance of +/- 10%. Colour temperature tolerance: +/- 150 K. The values apply to an ambient temperature of 25°C unless otherwise specified.