

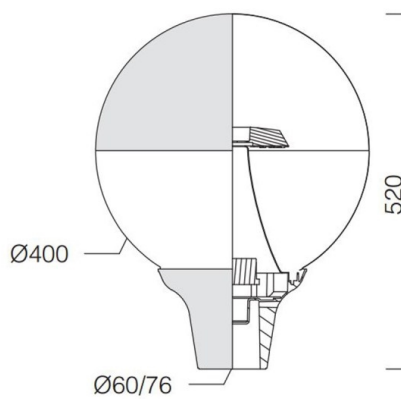
GLOBO LED

125-42560000

GLOBO LED POLE LUMINAIRE made of synthetic, silver, similar to RAL 9007, polycarbonate cover mirrored, beam symmetric, light output direct, with converter, dimmability: not dimmable, IP65



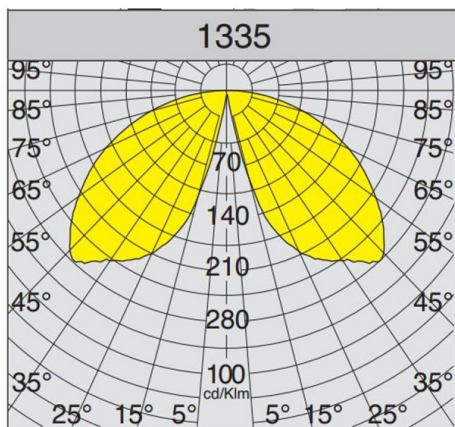
DRAWING



TECHNICAL DETAILS

System perform. [W]	29
Bulb type	LED
Luminous flux [lm]	1309
Colour temp. [K]	4000K
CRI	>80
Optics	polycarbonate cover
Converter	with converter
Dimming	not dimmable
Light output	direct
Beam angle [°]	symmetrisch
Voltage [V]	220-240V 50/60Hz
Material	synthetic
Height [mm]	520
Diameter [mm]	400
IP protection class	IP65
Voltage class	protection cl. II
Shock resistance	IK08
Net weight [kg]	3,28
Colour lamp	silver
RAL	9007
Colour of glass/shade	mirrored
EAN-Number	8012952094404
Lifetime [h]	50 000
Energy efficiency cl.	C

LIGHT DISTRIBUTION CURVE



The values are rated values. Power and luminous flux are initially subject to a tolerance of +/- 10%. Colour temperature tolerance: +/- 150 K. The values apply to an ambient temperature of 25°C unless otherwise specified.