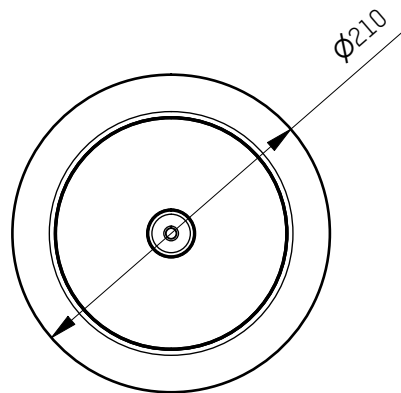
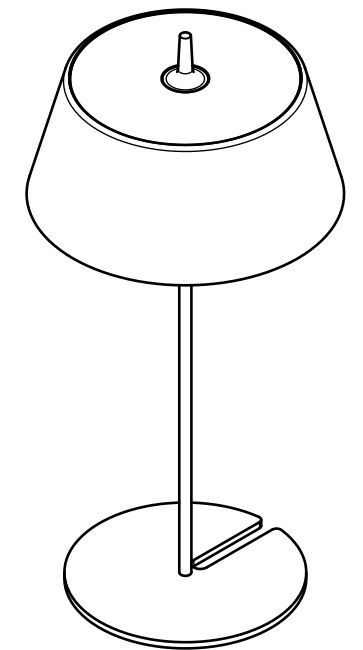
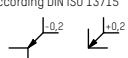
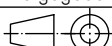


439,9



Ø210



technical information / manufacturing note		general manufacturing tolerances acc. technical info see infotext		drawn by Bresser	CAD system Autodesk Inventor	MOLTO LUCE®	
		material ACC.TECHN. INFO		checked by Bresser			
		weight 0,919 kg	surface 211813 mm ²	creation date 04.04.2022	description simple		drawing number ENG000025659
		surface finish		release date 04.04.2022	article number 135-9002xxxx		revision 00
surface according ISO 1302		undimensioned edges according DIN ISO 13715		status Freigegeben			
all dimensions and tolerances related uncoated surfaces		maximum thickness of coating: 120µm					
The unauthorized and / or against the rules use of these documents and possible attachment are not permitted and are judicially pursued						scale 1 : 5	sheet 1 of 1 A3