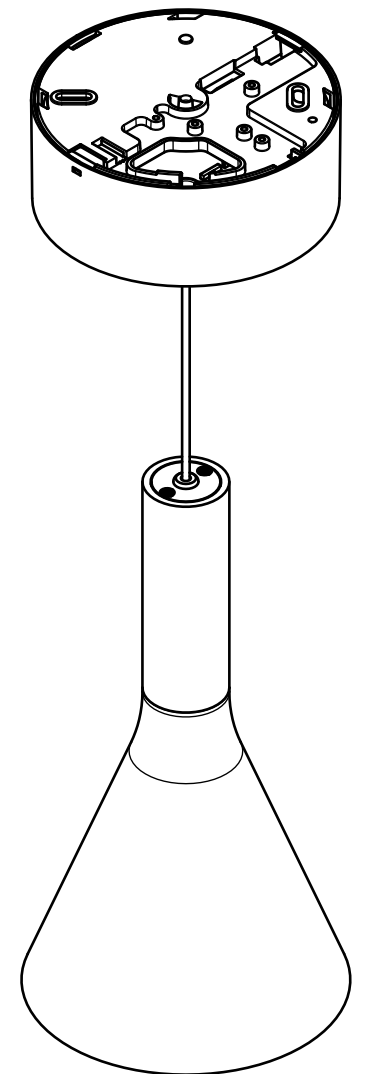


SURFACE KEY	
MAGENTA	visible (general) surface
RED	70-120µm (main surface)
GREEN	40-120µm (secondary surface)
CYAN	0-120µm (tertiary surface)
BLUE	only powdermist allowed
ORANGE	free of coating
VIOLETT	high gloss
WITHOUT COLOUR	raw



rev.	description	checked date	checked by
00.1	drawing updated	17.04.2023	Bresser
00	first release	13.04.2022	Seyrkammer

REVISIONS-HISTORY

technical information / manufacturing note		general manufacturing tolerances N/A	drawn by luksey	MOLTO LUCE®
		material ACC.TECHN. INFO	creation date 12.04.2022	
weight 0,186 kg	surface 198695 mm^2	description SIMPLE	drawing number ENG000025777	
surface finish N/A	surface according ISO 1302	undimensioned edges according DIN ISO 13715	article number 176-10201xxxxxxxxx	
all dimensions and tolerances related uncoated surfaces		threads must be free of coating max. thickness of coating: 120µm	scale 1 : 3	sheet 1 of 1 A3