

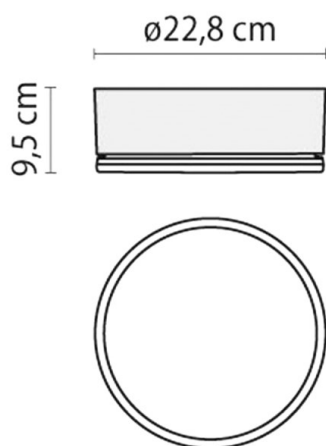
**DROP**

**187-004960**

DROP 22 WALL / CEILING LUMINAIRE made of synthetic, anthrazite, satined glass light output direct, with converter, dimmability: not dimmable, IP55 without lamp



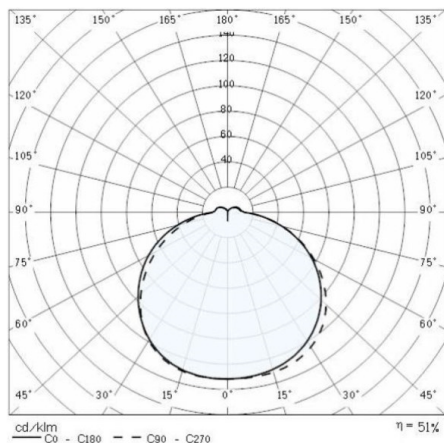
**DRAWING**



**TECHNICAL DETAILS**

|                     |                    |
|---------------------|--------------------|
| System perform. [W] | 9                  |
| Bulb type           | AGL A60 9W         |
| No. of bulb holders | 1x                 |
| Socket              | E27                |
| Colour temp. [K]    | siehe Leuchtmittel |
| Optics              | satined glass      |
| Converter           | with converter     |
| Dimming             | not dimmable       |
| Light output        | direct             |
| Voltage [V]         | 220-240V 50/60Hz   |
| Material            | synthetic          |
| Diameter [mm]       | 228                |
| Troat [mm]          | 95                 |
| IP protection class | IP55               |
| Voltage class       | protection cl. II  |
| Shock resistance    | IK06               |
| Net weight [kg]     | 1,58               |
| Colour lamp         | anthrazite         |
| EAN-Number          | 8018367049602      |

**LIGHT DISTRIBUTION CURVE**



The values are rated values. Power and luminous flux are initially subject to a tolerance of +/- 10%. Colour temperature tolerance: +/- 150 K. The values apply to an ambient temperature of 25°C unless otherwise specified.