

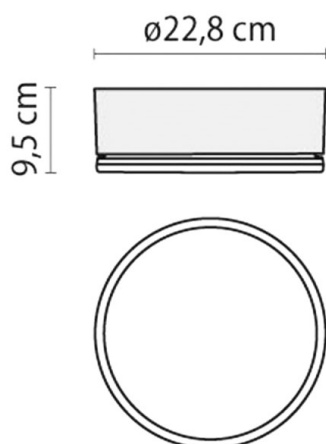
DROP

187-004961

DROP 22 WALL / CEILING LUMINAIRE made of synthetic, white, satined glass light output direct, with converter, dimmability: not dimmable, IP55 without lamp



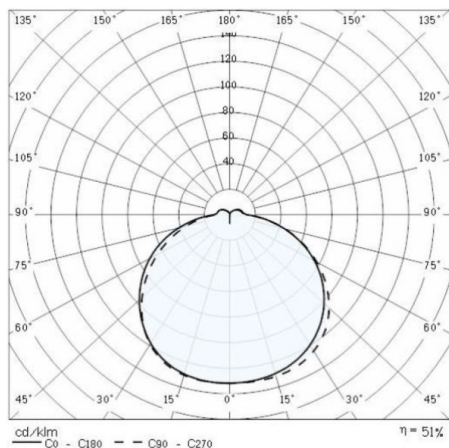
DRAWING



TECHNICAL DETAILS

System perform. [W]	9
Bulb type	AGL A60 9W
No. of bulb holders	1x
Socket	E27
Colour temp. [K]	siehe Leuchtmittel
Optics	satined glass
Converter	with converter
Dimming	not dimmable
Light output	direct
Voltage [V]	220-240V 50/60Hz
Material	synthetic
Diameter [mm]	228
Troat [mm]	95
IP protection class	IP55
Voltage class	protection cl. II
Shock resistance	IK06
Net weight [kg]	1,58
Colour lamp	white
EAN-Number	8018367049619

LIGHT DISTRIBUTION CURVE



The values are rated values. Power and luminous flux are initially subject to a tolerance of +/- 10%. Colour temperature tolerance: +/- 150 K. The values apply to an ambient temperature of 25°C unless otherwise specified.