

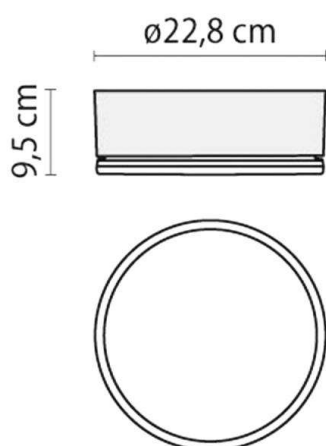
DROP

187-303472

DROP 22 WALL / CEILING LUMINAIRE made of synthetic, grey, satined glass satined, light output direct, with converter, dimmability: not dimmable, IP55



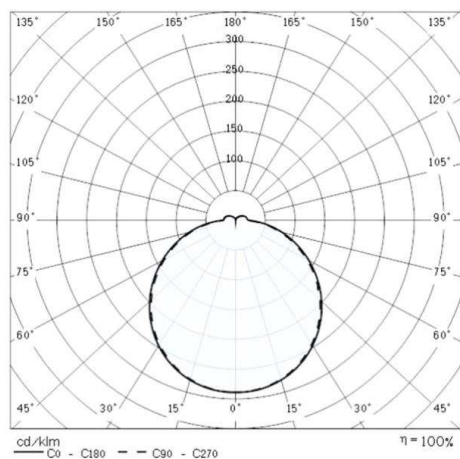
DRAWING



TECHNICAL DETAILS

System perform. [W]	11
Bulb type	LED
Luminous flux [lm]	757
Colour temp. [K]	3000K
CRI	>80
Optics	satined glass
Converter	with converter
Dimming	not dimmable
Light output	direct
Voltage [V]	220-240V 50/60Hz
Material	synthetic
Diameter [mm]	228
Troat [mm]	95
IP protection class	IP55
Voltage class	protection cl. II
Shock resistance	IK06
Net weight [kg]	1,79
Colour lamp	grey
Colour of glass/shade	satined
EAN-Number	8018367614664
Lifetime [h]	50 000

LIGHT DISTRIBUTION CURVE



The values are rated values. Power and luminous flux are initially subject to a tolerance of +/- 10%. Colour temperature tolerance: +/- 150 K. The values apply to an ambient temperature of 25°C unless otherwise specified.