

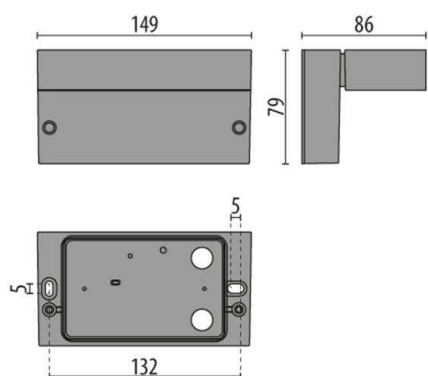
POLO+ 2

187-304559

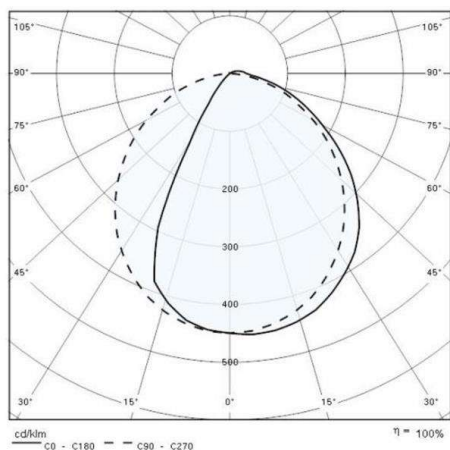
POLO+ 2 SURFACE MOUNTED WALL LUMINAIRE made of aluminium, white, satined glass light output direct, with converter, dimmable not dimmable, IP65



DRAWING



LIGHT DISTRIBUTION CURVE



TECHNICAL DETAILS

System perform. [W]	12
Bulb type	LED
Luminous flux [lm]	438
Colour temp. [K]	3000K
CRI	>80
Optics	satined glass
Converter	with converter
Dimming	nicht dimmbar
Light output	direct
Voltage [V]	220-240V 50/60Hz
Material	aluminium

Length [mm]	149
Width [mm]	86
Height [mm]	79
IP protection class	IP65
Voltage class	protection cl. I
Shock resistance	IK05
Net weight [kg]	12,72

Color lamp	white
EAN-Number	8018367636901
Lifetime [h]	35 000



The values are rated values. Power and luminous flux are initially subject to a tolerance of +/- 10%. Colour temperature tolerance: +/- 150 K. The values apply to an ambient temperature of 25°C unless otherwise specified.