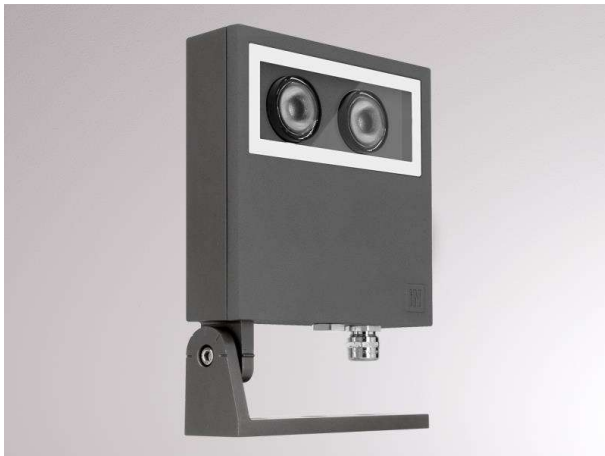


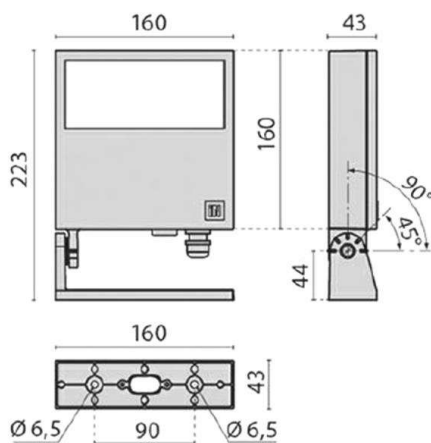
FOCUS +1 C/W

187-305489

FOCUS +1 FLOODLIGHTS made of aluminium, anthrazite, transparent glass beam symmetric, light output direct, tilting 180°, with converter, dimmability: not dimmable, IP66



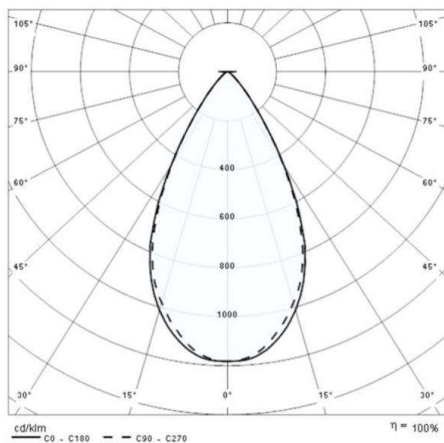
DRAWING



TECHNICAL DETAILS

System perform. [W]	18
Bulb type	LED
Luminous flux [lm]	1180
Colour temp. [K]	3000K
CRI	>70
Optics	transparent glass
Converter	with converter
Dimming	not dimmable
Light output	direct
Beam angle [°]	symmetrisch
Voltage [V]	220-240V 50/60Hz
Material	aluminium
Length [mm]	160
Width [mm]	43
Height [mm]	223
IP protection class	IP66
Voltage class	protection cl. I
Shock resistance	IK06
Net weight [kg]	1,40
Colour lamp	anthrazite
EAN-Number	8018367655346
Lifetime [h]	60 000

LIGHT DISTRIBUTION CURVE



The values are rated values. Power and luminous flux are initially subject to a tolerance of +/- 10%. Colour temperature tolerance: +/- 150 K. The values apply to an ambient temperature of 25°C unless otherwise specified.