

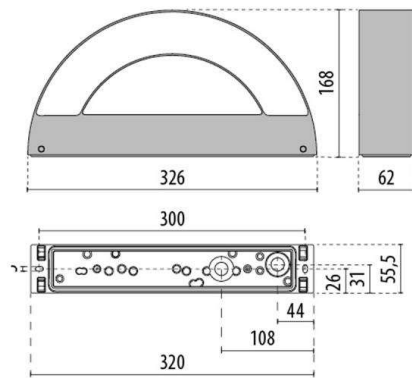
MASK+ M

187-3100763

MASK+ M SURFACE MOUNTED WALL LUMINAIRE made of aluminium, anthrazite, satined glass light output direct, with converter, dimmability: not dimmable, IP65



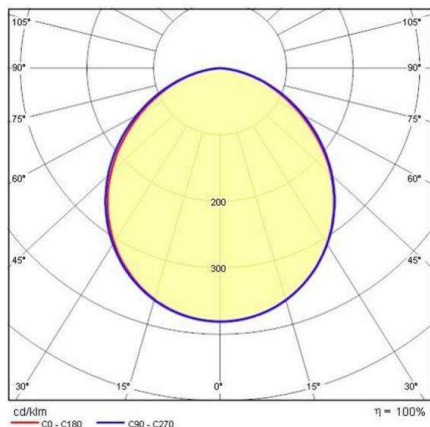
DRAWING



TECHNICAL DETAILS

System perform. [W]	13
Bulb type	LED
Luminous flux [lm]	914
Colour temp. [K]	3000K
CRI	>80
Optics	satined glass
Converter	with converter
Dimming	not dimmable
Light output	direct
Voltage [V]	220-240V 50/60Hz
Material	aluminium
Length [mm]	326
Width [mm]	168
Height [mm]	62
IP protection class	IP65
Voltage class	protection cl. I
Shock resistance	IK06
Net weight [kg]	2,38
Colour lamp	anthrazite
EAN-Number	8018367675108
Lifetime [h]	50 000

LIGHT DISTRIBUTION CURVE



The values are rated values. Power and luminous flux are initially subject to a tolerance of +/- 10%. Colour temperature tolerance: +/- 150 K. The values apply to an ambient temperature of 25°C unless otherwise specified.