

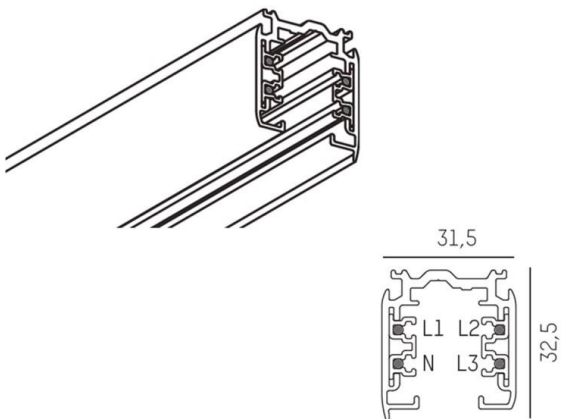
NOA SYSTEM

208-19104102

3 PHASE TRACK SD 3 PHASE TRACK made of aluminium, black, similar to RAL 9005, dimmability: not dimmable, IP20



DRAWING



TECHNICAL DETAILS

| | |
|---------------------|------------------|
| Dimming | not dimmable |
| Voltage [V] | 220-240V 50/60Hz |
| Material | aluminium |
| Length [mm] | 1000 |
| Width [mm] | 31,5 |
| Height [mm] | 32,5 |
| IP protection class | IP20 |
| Voltage class | protection cl. I |
| Net weight [kg] | 0,83 |
| Colour lamp | black |
| RAL | 9005 |
| EAN-Number | 6410014506018 |

LIGHT DISTRIBUTION CURVE



The values are rated values. Power and luminous flux are initially subject to a tolerance of +/- 10%. Colour temperature tolerance: +/- 150 K. The values apply to an ambient temperature of 25°C unless otherwise specified.