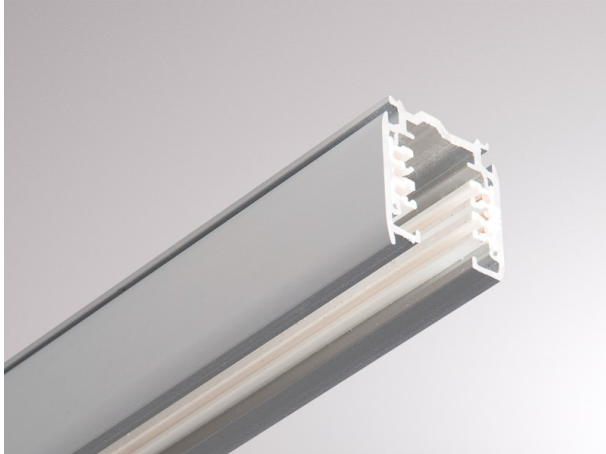


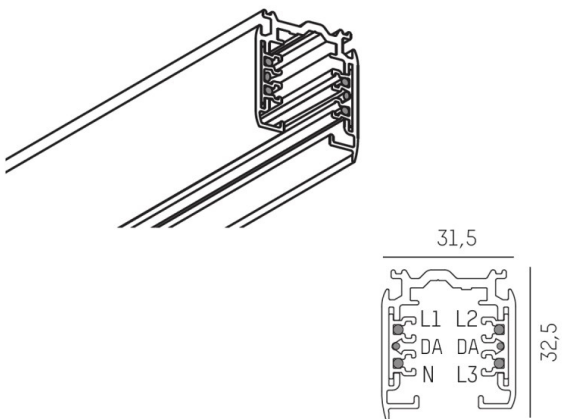
NOA SYSTEM

208-19106201

3 PHASE TRACK PULSE DALI SD 3 PHASE TRACK made of aluminium, grey, dimmability: DALI, IP20



DRAWING



TECHNICAL DETAILS

Voltage [V]	220-240V 50/60HZ
Material	aluminium
Length [mm]	2000
Width [mm]	31,5
Height [mm]	32,5
IP protection class	IP20
Voltage class	protection cl. I
Net weight [kg]	1,80
Colour lamp	grey
EAN-Number	6410014531485

LIGHT DISTRIBUTION CURVE



The values are rated values. Power and luminous flux are initially subject to a tolerance of +/- 10%. Colour temperature tolerance: +/- 150 K. The values apply to an ambient temperature of 25°C unless otherwise specified.