

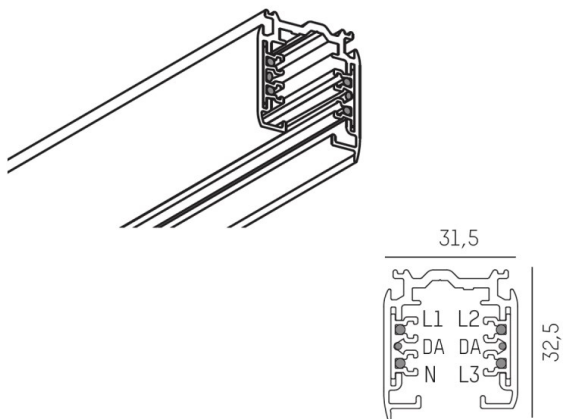
## NOA SYSTEM

208-19106203

3 PHASE TRACK PULSE DALI SD 3 PHASE TRACK made of aluminium, white, similar to RAL 9016, dimmability: DALI, IP20



## DRAWING



## TECHNICAL DETAILS

Voltage [V]	220-240V 50/60HZ
Material	aluminium
Length [mm]	2000
Width [mm]	31,5
Recess depth [mm]	32,5
IP protection class	IP20
Voltage class	protection cl. I
Net weight [kg]	1,80
Colour lamp	white
RAL	9016
EAN-Number	6410014531508

## LIGHT DISTRIBUTION CURVE



The values are rated values. Power and luminous flux are initially subject to a tolerance of +/- 10%. Colour temperature tolerance: +/- 150 K. The values apply to an ambient temperature of 25°C unless otherwise specified.