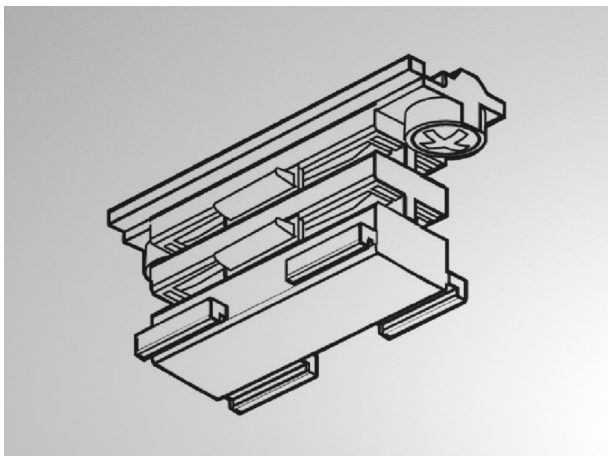


## NOA SYSTEM

208-19170212

XTS 21-2



## DRAWING

## TECHNICAL DETAILS

Dimming	not dimmable
Voltage [V]	220-240V 50/60HZ
Material	synthetic
Length [mm]	68
Width [mm]	20
Height [mm]	26
IP protection class	IP20
Voltage class	protection cl. I
Net weight [kg]	0,02
Colour lamp	black
RAL	9005
EAN-Number	6410014506216

## LIGHT DISTRIBUTION CURVE



The values are rated values. Power and luminous flux are initially subject to a tolerance of +/- 10%. Colour temperature tolerance: +/- 150 K. The values apply to an ambient temperature of 25°C unless otherwise specified.