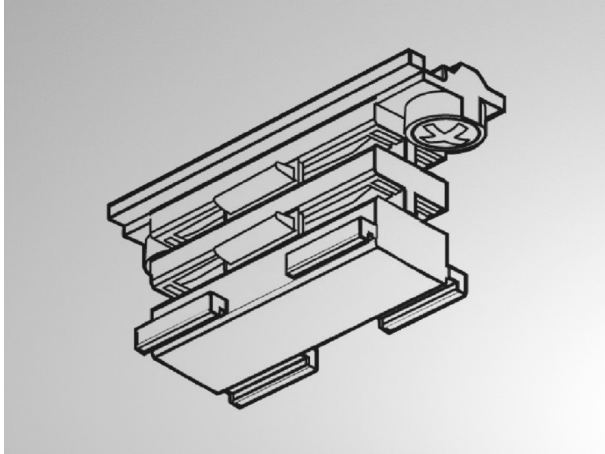


NOA SYSTEM

208-19170213

XTS 21-3



DRAWING

TECHNICAL DETAILS

Converter	with converter
Dimming	not dimmable
Voltage [V]	220-240V 50/60HZ
Material	synthetic
Length [mm]	70
Width [mm]	20
Height [mm]	26
IP protection class	IP20
Voltage class	protection cl. I
Net weight [kg]	0,02
Colour lamp	white
RAL	9016
EAN-Number	6410014507213

LIGHT DISTRIBUTION CURVE



The values are rated values. Power and luminous flux are initially subject to a tolerance of +/- 10%. Colour temperature tolerance: +/- 150 K. The values apply to an ambient temperature of 25°C unless otherwise specified.