

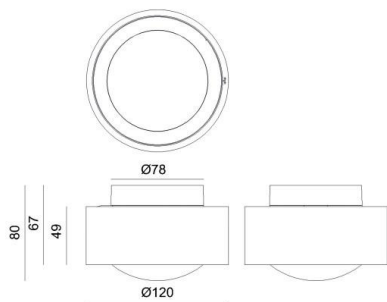
**MAG**

**222-00008**

MAG SD TURN WALL / CEILING LUMINAIRE made of aluminium, black, similar to RAL 9005, high quality glass lens beam 57°, light output direct, UGR <16, swiveling 350°, tilting 90°, with converter, max. 500mA, dimmability: TRIAC, IP20



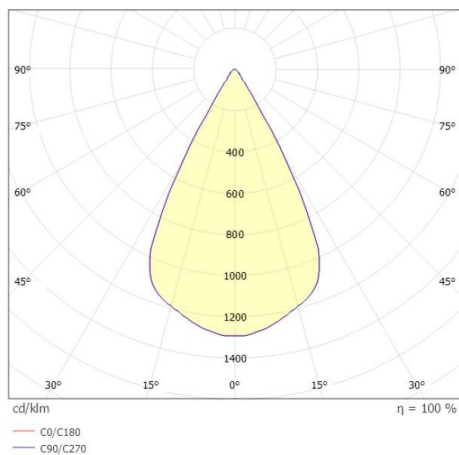
**DRAWING**



**TECHNICAL DETAILS**

System perform. [W]	13
Bulb type	LED
Luminous flux [lm]	845
Current sec. [mA]	500
Colour temp. [K]	2700K
CRI	>90
UGR	<16
Optics	high quality glass lens
Converter	with converter
Light output	direct
Beam angle [°]	57°
Voltage [V]	220-240V 50/60Hz
Material	aluminium
Height [mm]	81
Diameter [mm]	120
IP protection class	IP20
Voltage class	protection cl. I
Shock resistance	IK02
Net weight [kg]	0,78
Colour lamp	black
RAL	9005
EAN-Number	9010870166271
Lifetime [h]	L80 B10 50 000
Energy efficiency cl.	F
No. of luminaires B16A	56

**LIGHT DISTRIBUTION CURVE**



energy label



The values are rated values. Power and luminous flux are initially subject to a tolerance of +/- 10%. Colour temperature tolerance: +/- 150 K. The values apply to an ambient temperature of 25°C unless otherwise specified.