

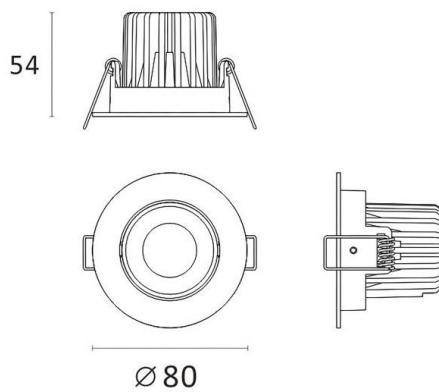
AGON

222-00136

AGON ROUND RECESSED SPOTLIGHT made of aluminium, white, similar to RAL 9003, lens beam 36°, light output direct, UGR <22, tilting 30°, without converter, max. 250/500mA, dimmability: see converter, IP20



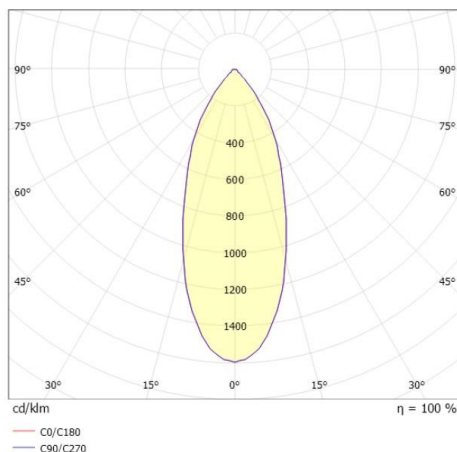
DRAWING



TECHNICAL DETAILS

Bulb type	LED 9W
Luminous flux [lm]	415/705
Current sec. [mA]	250/500
Colour temp. [K]	2700K
CRI	>90
UGR	<22
Optics	lens
Converter	without converter
Dimming	see converter
Light output	direct
Beam angle [°]	36°
Voltage [V]	18 VDC
Material	aluminium
Height [mm]	54
Diameter [mm]	80
Ceiling cutout [mm]	68
Ceiling thickness [mm]	20
Recess depth [mm]	84
IP protection class	IP20
Voltage class	protection cl. III
Net weight [kg]	0,25
Colour lamp	white
RAL	9003
EAN-Number	9010870539877
Lifetime [h]	L80 B10 50 000
Energy efficiency cl.	F

LIGHT DISTRIBUTION CURVE



energy label



The values are rated values. Power and luminous flux are initially subject to a tolerance of +/- 10%. Colour temperature tolerance: +/- 150 K. The values apply to an ambient temperature of 25°C unless otherwise specified.