

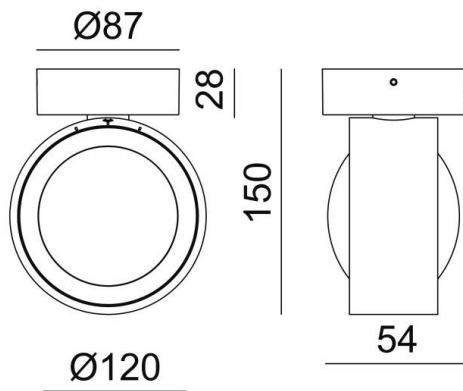
MAG

222-00217

MAG W SURFACE MOUNTED WALL LUMINAIRE made of aluminium, black, similar to RAL 9005, high quality glass lens beam 57°, light output direct / indirect, UGR <16, with converter, max. 350mA, dimmability: TRIAC, adapter/ceiling base black, IP40



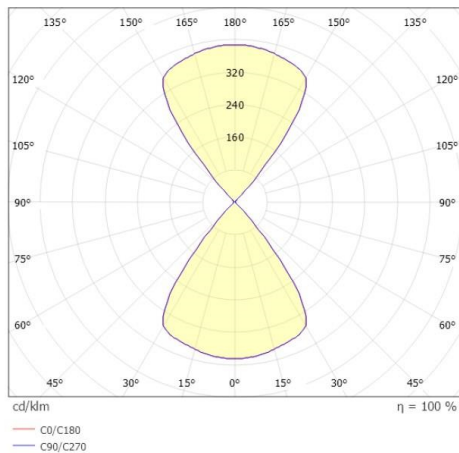
DRAWING



TECHNICAL DETAILS

| | |
|-----------------------------|-------------------------|
| System perform. [W] | 17 |
| Bulb type | LED |
| Luminous flux [lm] | 1120 |
| Current sec. [mA] | 350 |
| Colour temp. [K] | 2700K |
| CRI | >90 |
| UGR | <16 |
| Optics | high quality glass lens |
| Converter | with converter |
| Light output | direct / indirect |
| Beam angle [°] | 57° |
| Voltage [V] | 220-240V 50/60Hz |
| Material | aluminium |
| Length [mm] | 150 |
| Width [mm] | 150 |
| Height [mm] | 54 |
| Diameter [mm] | 120 |
| IP protection class | IP40 |
| Voltage class | protection cl. I |
| Shock resistance | IK02 |
| Net weight [kg] | 1,24 |
| Colour lamp | black |
| RAL | 9005 |
| Colour adapter/ceiling base | black |
| EAN-Number | 9010870891296 |
| Lifetime [h] | L80 B10 50 000 |
| Energy efficiency cl. | F |
| No. of luminaires B16A | 56 |

LIGHT DISTRIBUTION CURVE



The values are rated values. Power and luminous flux are initially subject to a tolerance of +/- 10%. Colour temperature tolerance: +/- 150 K. The values apply to an ambient temperature of 25°C unless otherwise specified.