

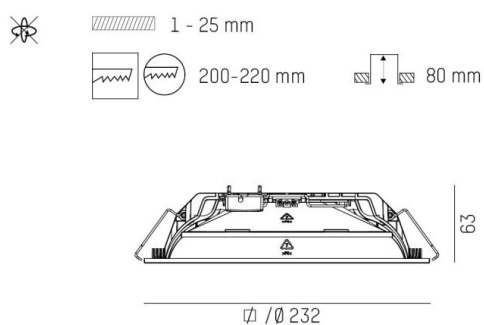
OTIN ROUND

227-011413022190050

OTIN XL ROUND PRO R RECESSED DOWNLIGHT made of aluminium, white, similar to RAL 9016, decor Faceted plastic reflector high-gloss, opal diffuser light output direct, with converter, max. 300mA, dimmability: not dimmable, through wiring 2,5mm², IP54/IP20 with X-Change light source, replaceable without tools



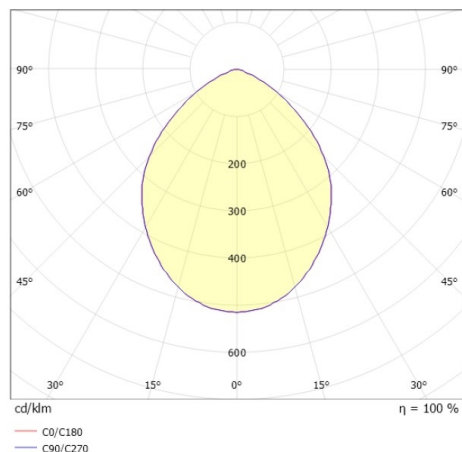
DRAWING



TECHNICAL DETAILS

System perform. [W]	12,5
Bulb type	LED
Luminous flux [lm]	2070
Current sec. [mA]	300
Colour temp. [K]	3000K
CRI	>80
Optics	opal diffuser
Designer	INHOUSE
Converter	with converter
Dimming	not dimmable
Light output	direct
Voltage [V]	220-240V AC/DC
Through wiring	2,5mm ²
Material	aluminium
Height [mm]	63
Diameter [mm]	232
Ceiling cutout [mm]	200-220
Ceiling thickness [mm]	1-25
Recess depth [mm]	80
IP protection class	IP54/IP20
Voltage class	protection cl. II
Shock resistance	IK02
Net weight [kg]	0,71
Colour lamp	white
RAL	9016
Colour decor	Faceted plastic reflector high-gloss
EAN-Number	9010870911512
Lifetime [h]	L90 B10 100 000
Energy efficiency cl.	C
No. of luminaires B16A	49

LIGHT DISTRIBUTION CURVE



The values are rated values. Power and luminous flux are initially subject to a tolerance of +/- 10%. Colour temperature tolerance: +/- 150 K. The values apply to an ambient temperature of 25°C unless otherwise specified.