

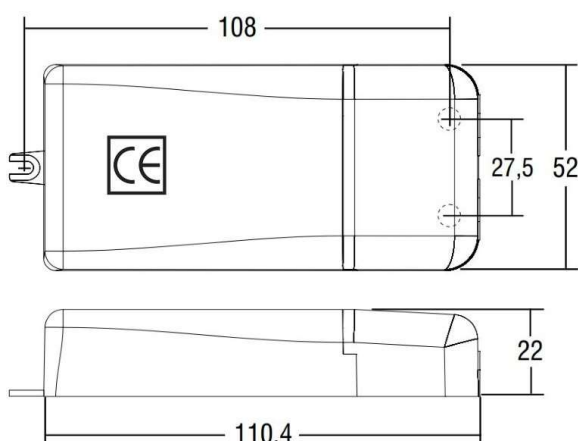
KONVERTER KONST. STROM

24-122201

Multipower-LED driver, white, not dimmable, class II protection against electric shock for direct or indirect contact, Active Power Factor Corrector, with terminal cover and cable retainer, Input and output terminal blocks on the same side (wire cross-section up to 1,5 mm<sup>2</sup>), clamping screws on primary and secondary circuits for cables with diameter: min. 3mm - max. 8mm, Protections: against overheating and short circuits, against mains voltage spikes, against overloads; ceiling cutout= 55mm, 230V AC, with DIP-SWITCH for the selection of the constant current output: 250mA - 13W - 57V DC / 350mA - 19W - 57V DC / 400mA - 20W - 50V DC / 450mA - 20W - 44V DC / 500mA - 20W - 40V DC / 550mA - 20W - 36V DC / 600mA - 20W - 33V DC / 700mA - 20W - 28V DC, constant current voltage output: 16W - 24V DC



DRAWING



TECHNICAL DETAILS

System perform. [W] 13  
 Current sec. [mA] 250  
 Dimming not dimmable  
 Voltage [V] 220-240V 50/60Hz  
 Material synthetic

Length [mm] 111  
 Width [mm] 52  
 Height [mm] 22  
 IP protection class IP20  
 Voltage class protection cl. II  
 Net weight [kg] 0,10

Color lamp white  
 EAN-Number 8010703300019  
 No. of luminaires B16A 50

LIGHT DISTRIBUTION CURVE

DIP-SWITCH Einstellungen: 24-122201		
P out W	V out DC	I out DC
13W	10 ... 54	250mA Konstantstrom
19W	2 ... 54	350mA Konstantstrom
20W	2 ... 50	400mA Konstantstrom
20W	2 ... 44	450mA Konstantstrom
20W	2 ... 40	500mA Konstantstrom
20W	2 ... 37	550mA Konstantstrom
20W	2 ... 34	600mA Konstantstrom
20W	2 ... 29	700mA Konstantstrom
16W	24	Max. 700mA Konstanspannung



The values are rated values. Power and luminous flux are initially subject to a tolerance of +/- 10%. Colour temperature tolerance: +/- 150 K. The values apply to an ambient temperature of 25°C unless otherwise specified.