

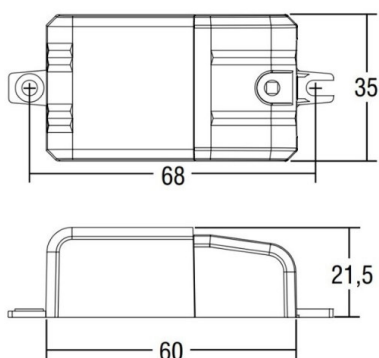
KONVERTER KONST. STROM

24-122596

LED converter, white, not dimm.



DRAWING



TECHNICAL DETAILS

System perform. [W]	4
Current sec. [mA]	350
Dimming	not dimmable
Voltage [V]	220-240V 50/60Hz
Material	synthetic
Length [mm]	60
Width [mm]	35
Height [mm]	21,5
IP protection class	IP20
Voltage class	protection cl. II
Net weight [kg]	0,04
Colour lamp	white
EAN-Number	9008905116599
No. of luminaires B16A	50

LIGHT DISTRIBUTION CURVE



The values are rated values. Power and luminous flux are initially subject to a tolerance of +/- 10%. Colour temperature tolerance: +/- 150 K. The values apply to an ambient temperature of 25°C unless otherwise specified.