

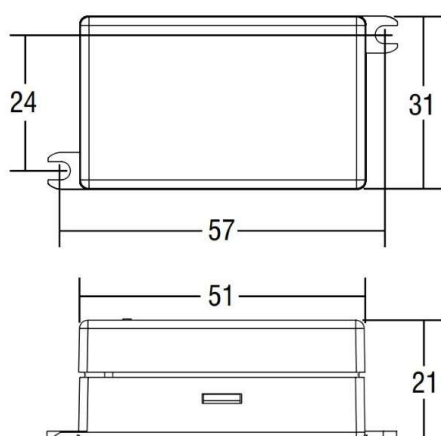
## KONVERTER KONST. STROM

24-122635

STC/U CONVERTER LED driver, black, not dimmable, input and output terminal blocks on the same side (wire cross-section up to 2,5 mm<sup>2</sup>), protections: against overheating and short circuits, against mains voltage spikes, against overloads; 6W - 500mA - 230V AC - 12V DC



## DRAWING



## TECHNICAL DETAILS

Current sec. [mA]	500
Dimming	not dimmable
Material	synthetic
Length [mm]	51
Width [mm]	31
Height [mm]	21
IP protection class	IP20
Voltage class	protection cl. II
Net weight [kg]	0,03
Colour lamp	black
EAN-Number	8010703300613
No. of luminaires B16A	50

## LIGHT DISTRIBUTION CURVE



The values are rated values. Power and luminous flux are initially subject to a tolerance of +/- 10%. Colour temperature tolerance: +/- 150 K. The values apply to an ambient temperature of 25°C unless otherwise specified.