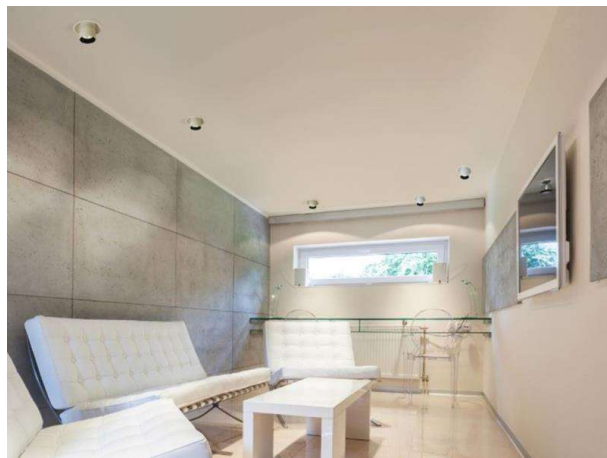


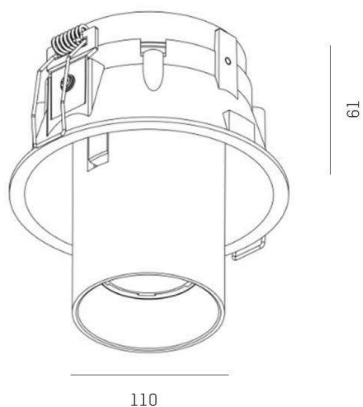
ELIX

276-0010990333006

ELIX R RECESSED SPOTLIGHT made of aluminium, black matt, similar to RAL 9005, beam 33°, light output direct, swiveling 355°, tilting 45°, without converter, max. 500mA, IP20



DRAWING

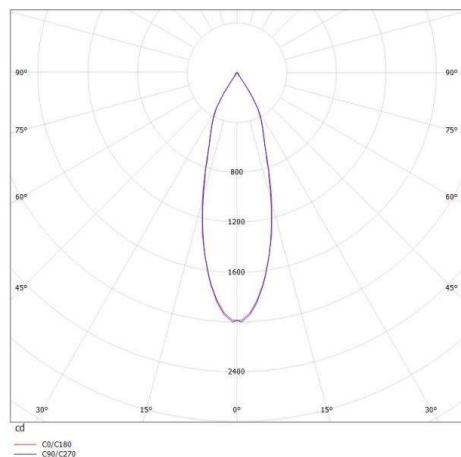


TECHNICAL DETAILS

Bulb type	LED 9W
Luminous flux [lm]	770
Current sec. [mA]	500
Colour temp. [K]	3000K
CRI	>90
Converter	without converter
Light output	direct
Beam angle [°]	33°
Voltage [V]	17,8 VDC
Material	aluminium

Height [mm]	61
Diameter [mm]	110
Ceiling cutout [mm]	102
Recess depth [mm]	91
IP protection class	IP20
Voltage class	protection cl. III
Net weight [kg]	0,68

LIGHT DISTRIBUTION CURVE



Color lamp	black matt
RAL	9005
EAN-Number	9008905906701
Lifetime [h]	25 000



The values are rated values. Power and luminous flux are initially subject to a tolerance of +/- 10%. Colour temperature tolerance: +/- 150 K. The values apply to an ambient temperature of 25°C unless otherwise specified.