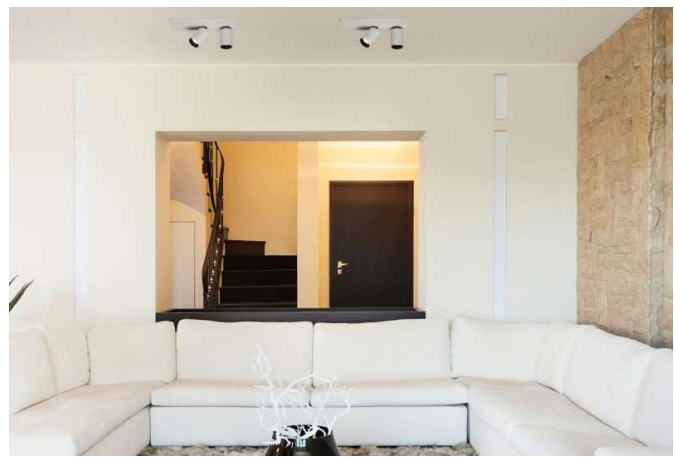


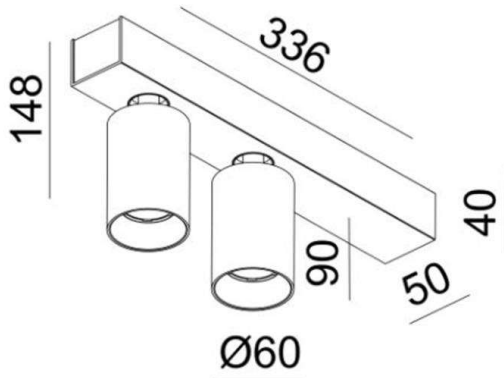
MISSOR

276-07290560

MISSOR II SD SURFACE MOUNTED CEILING LUMINAIRE made of aluminium, white black matt, similar to RAL 9003/9005, beam 33°, light output direct, swiveling 355°, tilting 90°, with converter, dimmability: not dimmable, IP20



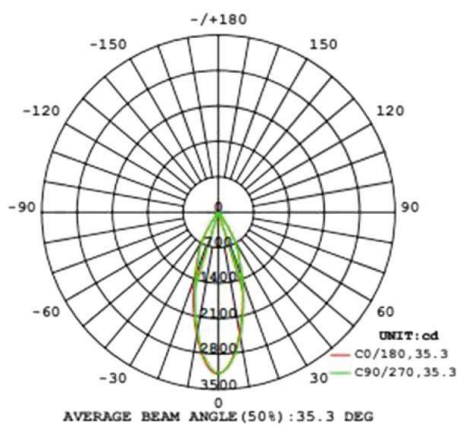
DRAWING



TECHNICAL DETAILS

System perform. [W]	21
Bulb type	LED
Luminous flux [lm]	1340
Colour temp. [K]	3000K
CRI	>90
Converter	with converter
Dimming	not dimmable
Light output	direct
Beam angle [°]	33°
Voltage [V]	220-240V 50/60Hz
Material	aluminium
Length [mm]	336
Width [mm]	60
Height [mm]	148
IP protection class	IP20
Voltage class	protection cl. I
Net weight [kg]	1,26
Color lamp	white black matt
RAL	9003/9005
EAN-Number	9010506035377
Lifetime [h]	L80 B10 20 000
Energy efficiency cl.	E

LIGHT DISTRIBUTION CURVE



The values are rated values. Power and luminous flux are initially subject to a tolerance of +/- 10%. Colour temperature tolerance: +/- 150 K. The values apply to an ambient temperature of 25°C unless otherwise specified.