

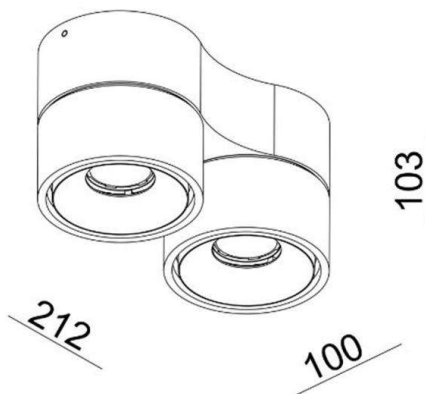
MAGIS

276-1027050

MAGIS DOUBLE SD SURFACE MOUNTED CEILING LUMINAIRE made of aluminium, white matt, similar to RAL 9003, beam 40°, light output direct, swiveling 350°, tilting 90°, with converter, dimmability: not dimmable, IP20



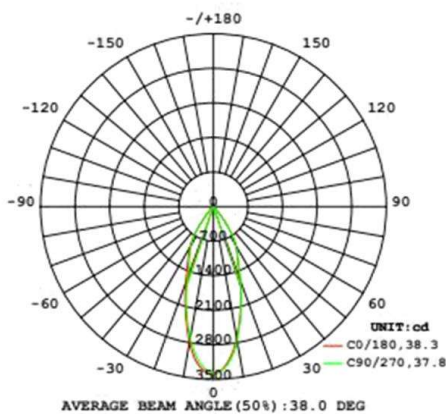
DRAWING



TECHNICAL DETAILS

System perform. [W]	30
Bulb type	LED
Luminous flux [lm]	2120
Colour temp. [K]	2700K
CRI	>90
Converter	with converter
Dimming	not dimmable
Light output	direct
Beam angle [°]	40°
Voltage [V]	220-240V 50/60Hz
Material	aluminium
Length [mm]	212
Width [mm]	100
Height [mm]	103
IP protection class	IP20
Voltage class	protection cl. I
Net weight [kg]	1,60
Colour lamp	white matt
RAL	9003
EAN-Number	9010506035230
Lifetime [h]	L80 B10 20 000
Energy efficiency cl.	6

LIGHT DISTRIBUTION CURVE



The values are rated values. Power and luminous flux are initially subject to a tolerance of +/- 10%. Colour temperature tolerance: +/- 150 K. The values apply to an ambient temperature of 25°C unless otherwise specified.