

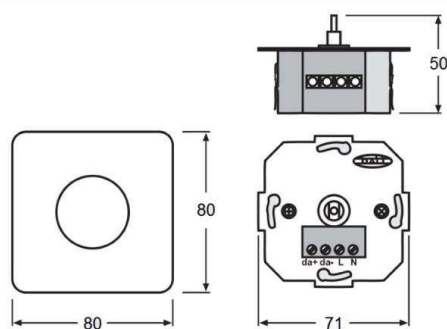
DALI MCU STEUERGERÄT

28-189721

The DALI MCU digital potentiometer controls up to 25 DALI electronic control gears and enables the manual operation of luminaires with a DALI interface. The potentiometer is mounted in flush device boxes; incl. cover (80x80cm) cream-white, 230V/50-60Hz



DRAWING



TECHNICAL DETAILS

Voltage [V]	220-240V 50/60Hz
Material	synthetic
Length [mm]	71
Width [mm]	71
Height [mm]	50
IP protection class	IP20
Voltage class	protection cl. II
Net weight [kg]	0,10
Color lamp	white
EAN-Number	4008321189721

LIGHT DISTRIBUTION CURVE



The values are rated values. Power and luminous flux are initially subject to a tolerance of +/- 10%. Colour temperature tolerance: +/- 150 K. The values apply to an ambient temperature of 25°C unless otherwise specified.