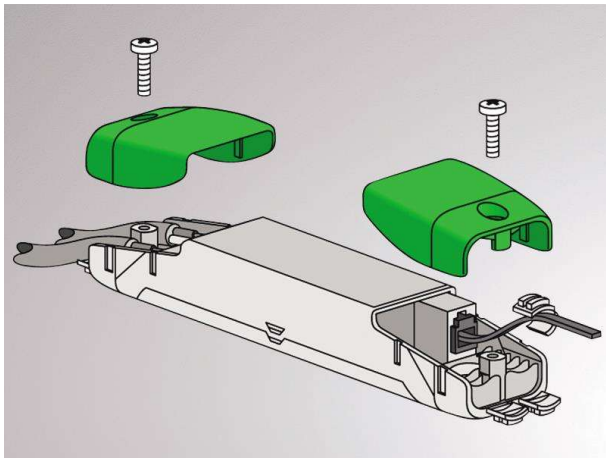


## STEUERUNG

28-392091



## DRAWING

## TECHNICAL DETAILS

|                 |               |
|-----------------|---------------|
| Material        | synthetic     |
| Net weight [kg] | 0,02          |
| EAN-Number      | 4008321392091 |

## LIGHT DISTRIBUTION CURVE



The values are rated values. Power and luminous flux are initially subject to a tolerance of +/- 10%. Colour temperature tolerance: +/- 150 K. The values apply to an ambient temperature of 25°C unless otherwise specified.