

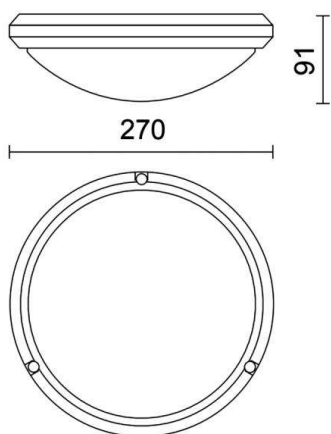
270T

290-127401

SERIE 270 T WALL / CEILING LUMINAIRE made of synthetic, black, polycarbonate cover light output direct, dimmability: not dimmable, IP65



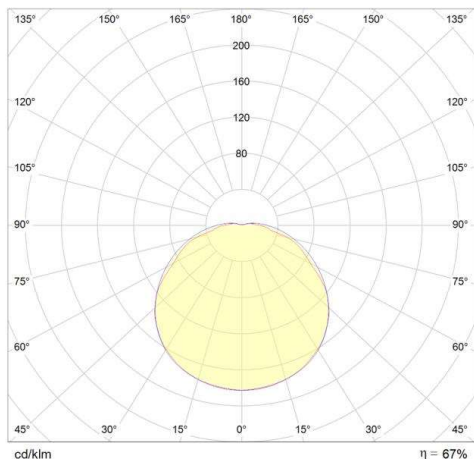
DRAWING



TECHNICAL DETAILS

System perform. [W]	9
Bulb type	AGL A60 9W
No. of bulb holders	1x
Socket	E27
Optics	polycarbonate cover
Dimming	not dimmable
Light output	direct
Voltage [V]	220-240V 50/60Hz
Material	synthetic
Height [mm]	91
Diameter [mm]	270
IP protection class	IP65
Voltage class	protection cl. II
Shock resistance	IK10
Net weight [kg]	0,61
Colour lamp	black
EAN-Number	8019163081292

LIGHT DISTRIBUTION CURVE



The values are rated values. Power and luminous flux are initially subject to a tolerance of +/- 10%. Colour temperature tolerance: +/- 150 K. The values apply to an ambient temperature of 25°C unless otherwise specified.