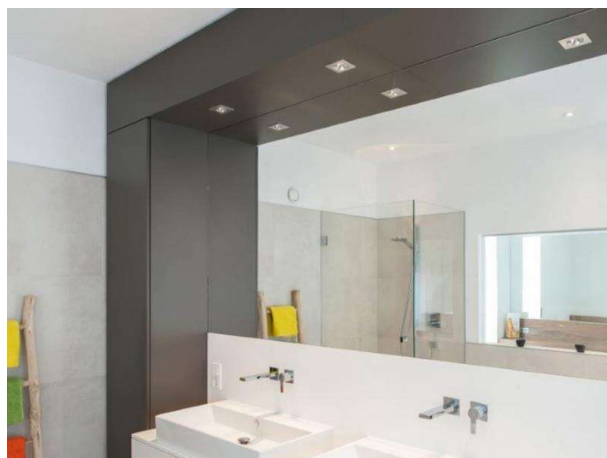


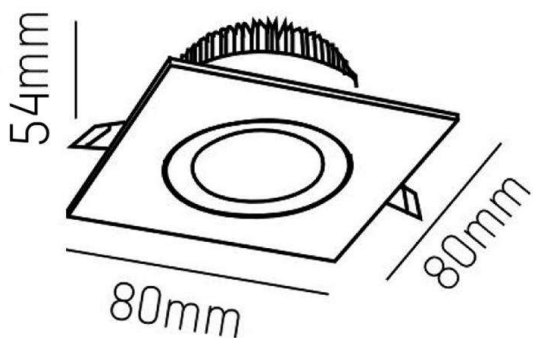
AGON

305-0050680202715

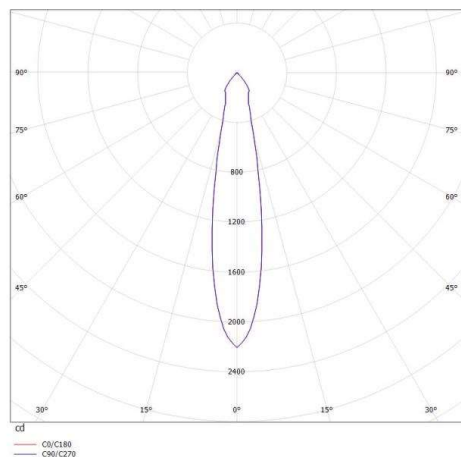
AGON SQUARE RECESSED SPOTLIGHT made of aluminium, natural brushed, beam 20°, light output direct, tilting 30°, without converter, max. 250mA, IP20



DRAWING



LIGHT DISTRIBUTION CURVE



TECHNICAL DETAILS

Bulb type	LED 5W
Luminous flux [lm]	550
Current sec. [mA]	250
Colour temp. [K]	2700K
CRI	>80
Converter	without converter
Light output	direct
Beam angle [°]	20°
Voltage [V]	20 VDC
Material	aluminium

Length [mm]	80
Width [mm]	80
Height [mm]	54
Ceiling cutout [mm]	68
Recess depth [mm]	84
IP protection class	IP20
Voltage class	protection cl. III
Net weight [kg]	0,20

Color lamp	natural brushed
EAN-Number	9010506372175
Lifetime [h]	25 000



The values are rated values. Power and luminous flux are initially subject to a tolerance of +/- 10%. Colour temperature tolerance: +/- 150 K. The values apply to an ambient temperature of 25°C unless otherwise specified.