

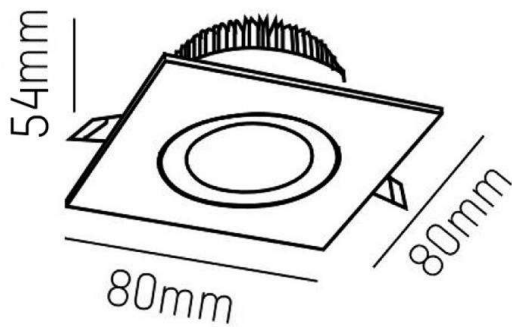
AGON

305-0050680403015

AGON SQUARE RECESSED SPOTLIGHT made of aluminium, natural brushed, beam 40°, light output direct, tilting 30°, without converter, max. 250mA, IP20



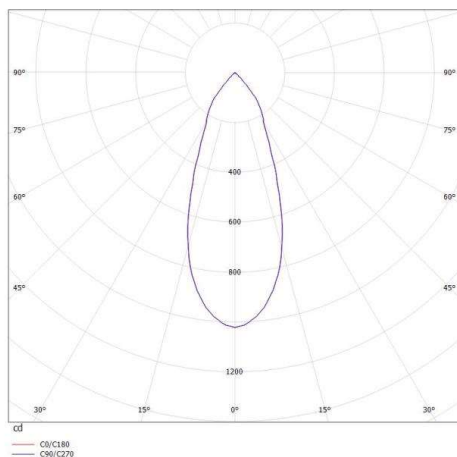
DRAWING



TECHNICAL DETAILS

Bulb type	LED SW
Luminous flux [lm]	605
Current sec. [mA]	250
Colour temp. [K]	3000K
CRI	>80
Converter	without converter
Light output	direct
Beam angle [°]	40°
Voltage [V]	20 VDC
Material	aluminium
Length [mm]	80
Width [mm]	80
Height [mm]	54
Ceiling cutout [mm]	68
Recess depth [mm]	84
IP protection class	IP20
Voltage class	protection cl. III
Net weight [kg]	0,21
Color lamp	natural brushed
EAN-Number	9008905811142
Lifetime [h]	25 000

LIGHT DISTRIBUTION CURVE



The values are rated values. Power and luminous flux are initially subject to a tolerance of +/- 10%. Colour temperature tolerance: +/- 150 K. The values apply to an ambient temperature of 25°C unless otherwise specified.