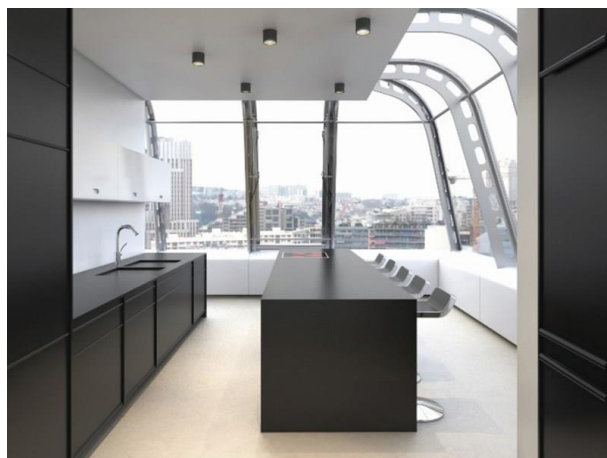


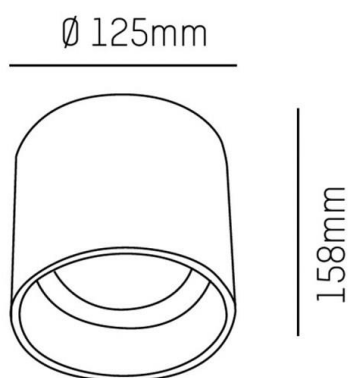
AEON

305-604527wddd

AEON ROUND SURFACE MOUNTED CEILING LUMINAIRE made of aluminium, white, similar to RAL 9003, beam 45°, light output direct, with converter, max. 350mA, dimmability: DALI, IP20



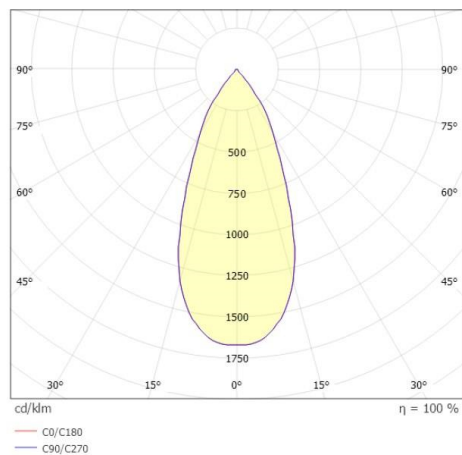
DRAWING



TECHNICAL DETAILS

System perform. [W]	15
Bulb type	LED
Luminous flux [lm]	1450
Current sec. [mA]	350
Colour temp. [K]	2700K
CRI	>80
Converter	with converter
Light output	direct
Beam angle [°]	45°
Voltage [V]	220-240V 50/60Hz
Material	aluminium
Height [mm]	158
Diameter [mm]	125
IP protection class	IP20
Voltage class	protection cl. I
Net weight [kg]	1,19
Colour lamp	white
RAL	9003
EAN-Number	9008905912627
Lifetime [h]	L80 B10 20 000
Energy efficiency cl.	E
No. of luminaires B16A	61

LIGHT DISTRIBUTION CURVE



energy label



The values are rated values. Power and luminous flux are initially subject to a tolerance of +/- 10%. Colour temperature tolerance: +/- 150 K. The values apply to an ambient temperature of 25°C unless otherwise specified.