

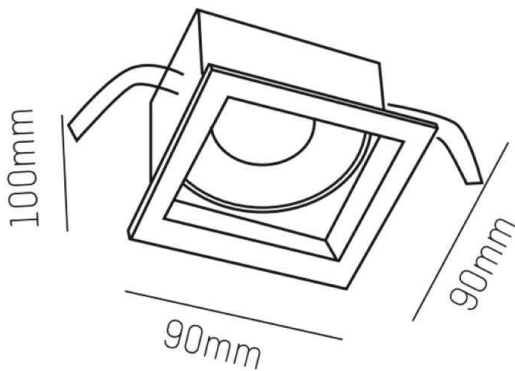
PONTOS

305-624824w

PONTOS SQUARE RECESSED SPOTLIGHT made of aluminium, white matt, similar to RAL 9003, beam 24°, light output direct, tilting 30°, without converter, max. 350mA, dimmability: see converter, IP44



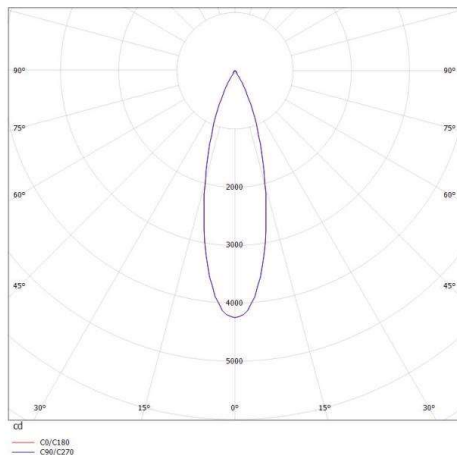
DRAWING



TECHNICAL DETAILS

System perform. [W]	10/15
Bulb type	LED 15W
Luminous flux [lm]	870/1310
Current sec. [mA]	350
Colour temp. [K]	3000K
CRI	>80
Converter	without converter
Dimming	see converter
Light output	direct
Beam angle [°]	24°
Voltage [V]	36 VDC
Material	aluminium
Length [mm]	89
Width [mm]	89
Height [mm]	80
Ceiling cutout [mm]	78x78
Recess depth [mm]	110
IP protection class	IP44
Voltage class	protection cl. III
Net weight [kg]	0,31
Colour lamp	white matt
RAL	9003
EAN-Number	9010506045017
Lifetime [h]	L80 B10 20 000
Energy efficiency cl.	E

LIGHT DISTRIBUTION CURVE



The values are rated values. Power and luminous flux are initially subject to a tolerance of +/- 10%. Colour temperature tolerance: +/- 150 K. The values apply to an ambient temperature of 25°C unless otherwise specified.