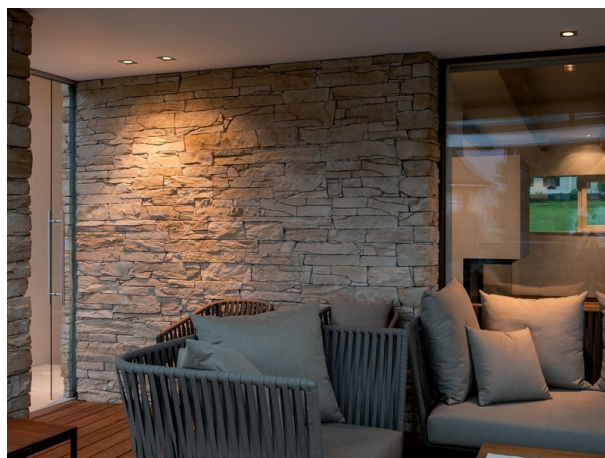
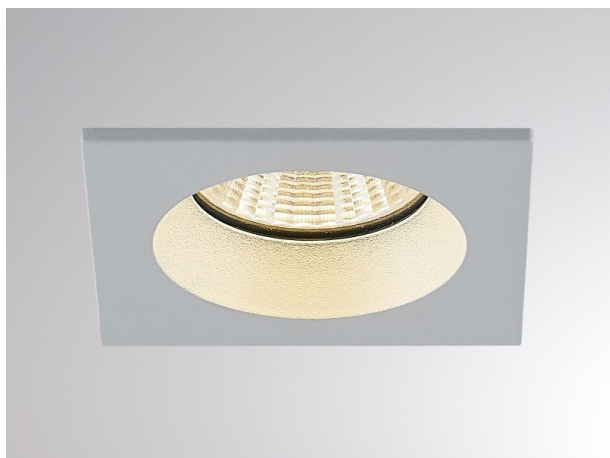


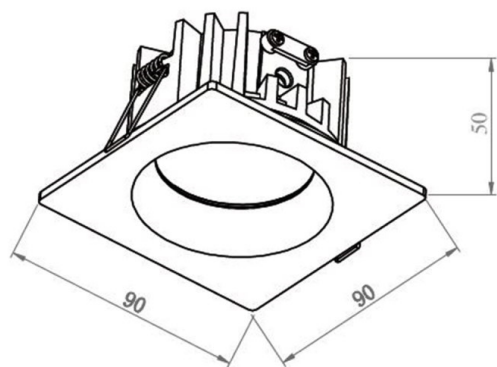
CHICCO

308-0020790302704

CHICCO SQUARE R RECESSED SPOTLIGHT made of aluminium, silver, similar to RAL 9006, beam 30°, light output direct, without converter, max. 350mA, dimmability: see converter, IP65/IP20



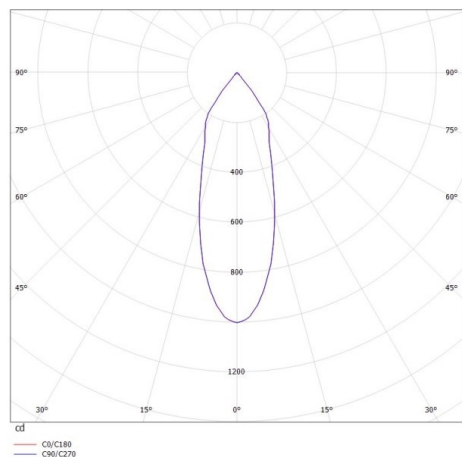
DRAWING



TECHNICAL DETAILS

System perform. [W]	7
Bulb type	LED 7W
Luminous flux [lm]	530
Current sec. [mA]	350
Colour temp. [K]	2700K
CRI	>90
Converter	without converter
Dimming	see converter
Light output	direct
Beam angle [°]	30°
Voltage [V]	20 VDC
Material	aluminium
Length [mm]	90
Width [mm]	90
Height [mm]	50
Ceiling cutout [mm]	78
Recess depth [mm]	80
IP protection class	IP65/IP20
Voltage class	protection cl. III
Net weight [kg]	0,30
Colour lamp	silver
RAL	9006
EAN-Number	9008905980183
Lifetime [h]	L80 B10 20 000
Energy efficiency cl.	E

LIGHT DISTRIBUTION CURVE



The values are rated values. Power and luminous flux are initially subject to a tolerance of +/- 10%. Colour temperature tolerance: +/- 150 K. The values apply to an ambient temperature of 25°C unless otherwise specified.