

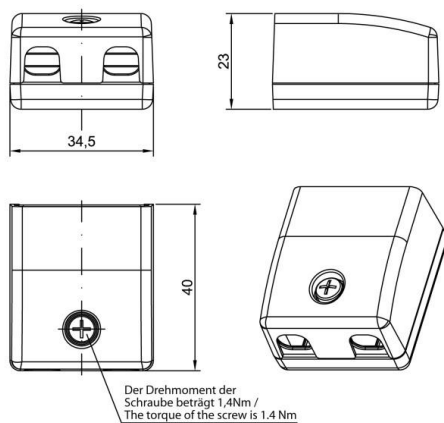
## AUTLED

322-ud7001

strain relief (set of 2 pieces), order once per dimmer



## DRAWING



## TECHNICAL DETAILS

Dimming	not dimmable
Voltage [V]	15-50 VDC
Material	synthetic
Length [mm]	40
Width [mm]	35
Height [mm]	24
IP protection class	IP20
Net weight [kg]	0,01
EAN-Number	9010346009545

## LIGHT DISTRIBUTION CURVE



The values are rated values. Power and luminous flux are initially subject to a tolerance of +/- 10%. Colour temperature tolerance: +/- 150 K. The values apply to an ambient temperature of 25°C unless otherwise specified.