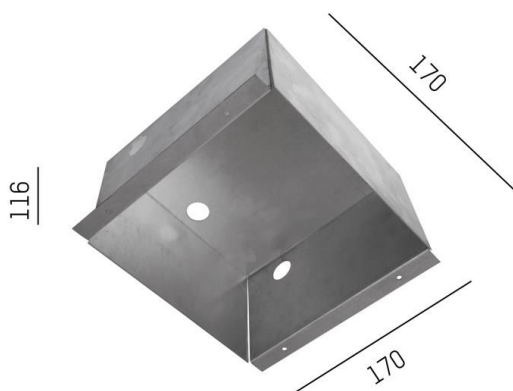


BETON**332-1001**

Installation housing for concrete without cover,
galvanised sheet metal, one hose entry each DM 20mm and 25mm left

**DRAWING****TECHNICAL DETAILS**

Designer	INHOUSE
Dimming	not dimmable
Material	steel sheet
Length [mm]	170
Width [mm]	170
Height [mm]	116
Recess depth [mm]	116
IP protection class	IP20
Net weight [kg]	0,83
EAN-Number	9008905665158

LIGHT DISTRIBUTION CURVE

energy label



The values are rated values. Power and luminous flux are initially subject to a tolerance of +/- 10%. Colour temperature tolerance: +/- 150 K. The values apply to an ambient temperature of 25°C unless otherwise specified.