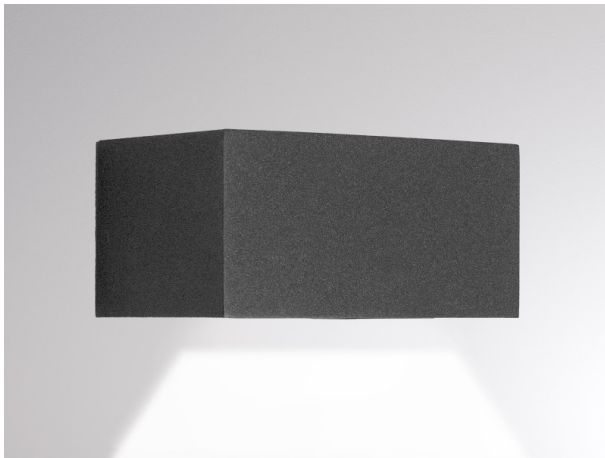


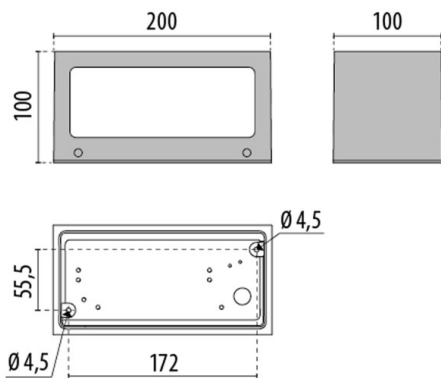
KODA

333-00060

KODA TWENTY ONE SURFACE MOUNTED WALL LUMINAIRE made of aluminium, anthrazite, similar to RAL 7016, light output direct, with converter, dimmability: on/off, IP65



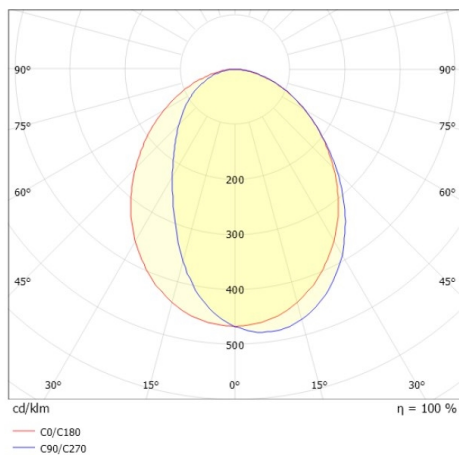
DRAWING



TECHNICAL DETAILS

System perform. [W]	11
Bulb type	LED
Luminous flux [lm]	492
Colour temp. [K]	3000K
CRI	>80
Converter	with converter
Light output	direct
Voltage [V]	220-240V 50/60Hz
Material	aluminium
Length [mm]	200
Width [mm]	100
Height [mm]	100
IP protection class	IP65
Voltage class	protection cl. I
Shock resistance	IK06
Net weight [kg]	1,76
Colour lamp	anthrazite
RAL	7016
EAN-Number	9010870572522
Lifetime [h]	L80 B10 50 000
Ambient temperature	0° bis +35°
Energy efficiency cl.	F
No. of luminaires B16A	50

LIGHT DISTRIBUTION CURVE



The values are rated values. Power and luminous flux are initially subject to a tolerance of +/- 10%. Colour temperature tolerance: +/- 150 K. The values apply to an ambient temperature of 25°C unless otherwise specified.