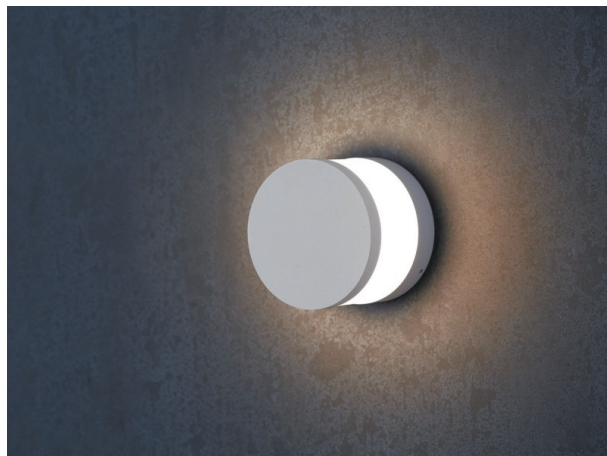
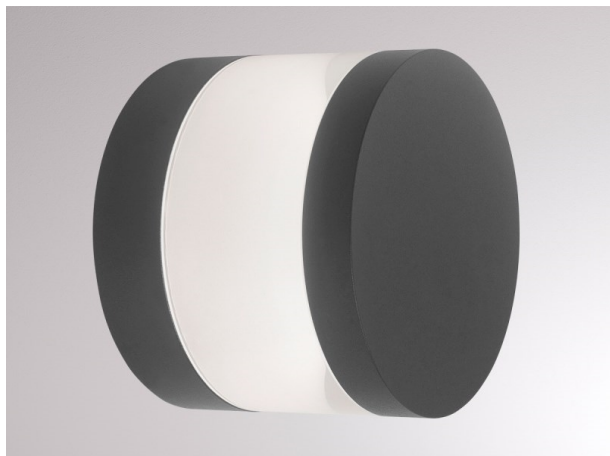


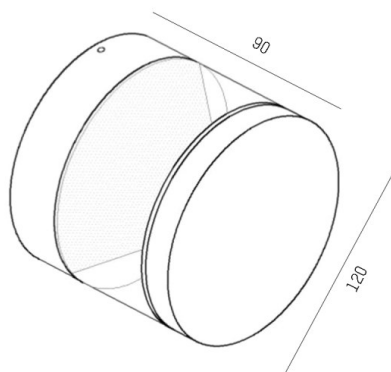
ZEON

472-0561090003011

ZEON W SURFACE MOUNTED WALL LUMINAIRE made of aluminium, anthrazite, similar to RAL 7016, light output direct, with converter, dimmability: not dimmable, IP54



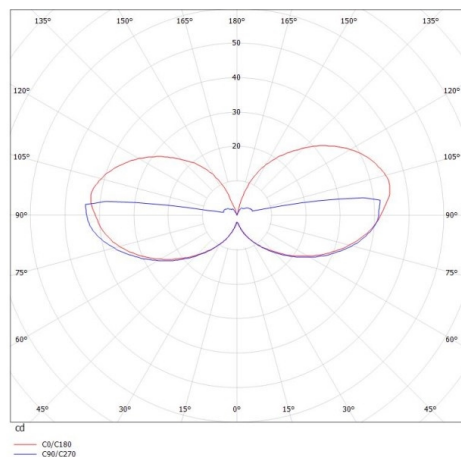
DRAWING



TECHNICAL DETAILS

System perform. [W]	10
Bulb type	LED
Luminous flux [lm]	320
Colour temp. [K]	3000K
CRI	>90
Converter	with converter
Dimming	not dimmable
Light output	direct
Voltage [V]	110-240V 50/60Hz
Material	aluminium
Height [mm]	90
Diameter [mm]	120
IP protection class	IP54
Voltage class	protection cl. I
Net weight [kg]	1,34
Colour lamp	anthrazite
RAL	7016
EAN-Number	9010506027433
Lifetime [h]	L80 B10 20 000
Energy efficiency cl.	G

LIGHT DISTRIBUTION CURVE



The values are rated values. Power and luminous flux are initially subject to a tolerance of +/- 10%. Colour temperature tolerance: +/- 150 K. The values apply to an ambient temperature of 25°C unless otherwise specified.