

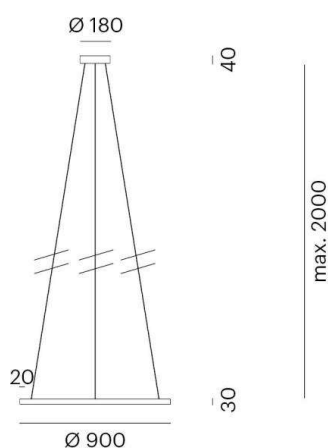
PERFORA L

472-10029500

PERFORA L PD SUSPENSION made of aluminium, white, similar to RAL 9003, light output direct, with converter, dimmability: not dimmable, cable grey, steel, adapter/ceiling base white, IP20 cable lenght 2000mm



DRAWING



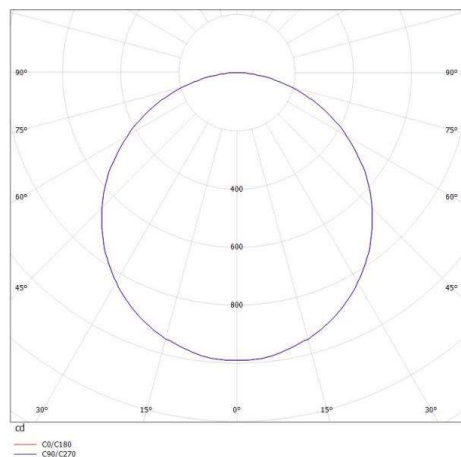
TECHNICAL DETAILS

System perform. [W]	64
Bulb type	LED
Luminous flux [lm]	2850
Colour temp. [K]	3000K
CRI	>90
Converter	with converter
Dimming	not dimmable
Light output	direct
Voltage [V]	220-240V 50/60Hz
Material	aluminium

Height [mm]	30
Diameter [mm]	900
IP protection class	IP20
Voltage class	protection cl. I
Net weight [kg]	4,50

Color lamp	white
RAL	9003
Color adapter/ceiling base	white
Electric wire	grey, steel
EAN-Number	9010506127812
Lifetime [h]	L80 B10 20 000
Energy efficiency cl.	F

LIGHT DISTRIBUTION CURVE



The values are rated values. Power and luminous flux are initially subject to a tolerance of +/- 10%. Colour temperature tolerance: +/- 150 K. The values apply to an ambient temperature of 25°C unless otherwise specified.