

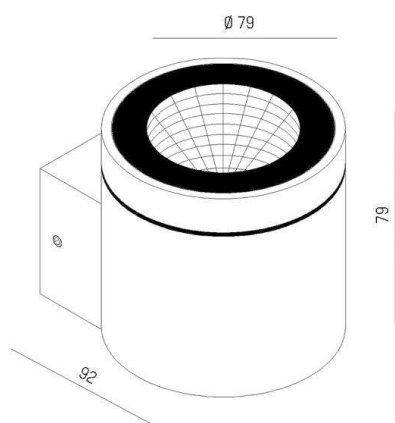
## TUBE

472-256003

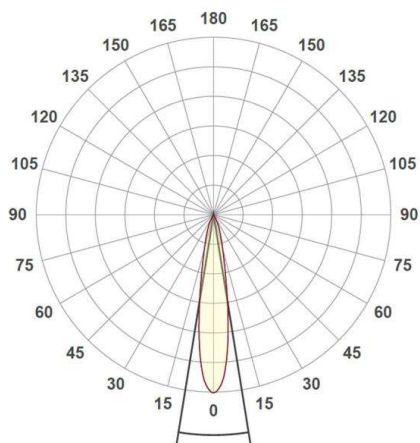
TUBE W SURFACE MOUNTED WALL LUMINAIRE made of aluminium, anthrazite, similar to RAL 7016, beam 20°, light output direct, with converter, dimmable not dimmable, IP54



## DRAWING



## LIGHT DISTRIBUTION CURVE



## TECHNICAL DETAILS

System perform. [W]	9
Bulb type	LED
Luminous flux [lm]	535
Colour temp. [K]	3000K
CRI	>80
Converter	with converter
Dimming	nicht dimmbar
Light output	direct
Beam angle [°]	20°
Voltage [V]	220-240V 50/60Hz
Material	aluminium

Height [mm]	81
Diameter [mm]	79
Troat [mm]	92
IP protection class	IP54
Voltage class	protection cl. I
Net weight [kg]	0,81

Color lamp	anthrazite
RAL	7016
EAN-Number	9010506027259
Lifetime [h]	25 000



The values are rated values. Power and luminous flux are initially subject to a tolerance of +/- 10%. Colour temperature tolerance: +/- 150 K. The values apply to an ambient temperature of 25°C unless otherwise specified.