

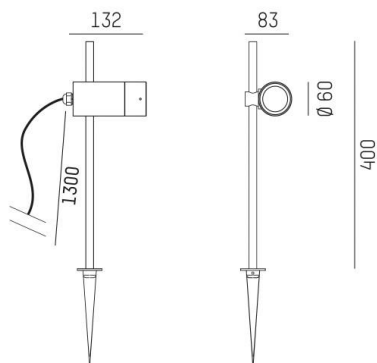
CHOPA

472-90059600

CHOPA F ERDSPIEBLEUCHE made of aluminium, black, similar to RAL 9005, beam 38°, light output direct, with converter, dimmability: not dimmable, cable black, IP65



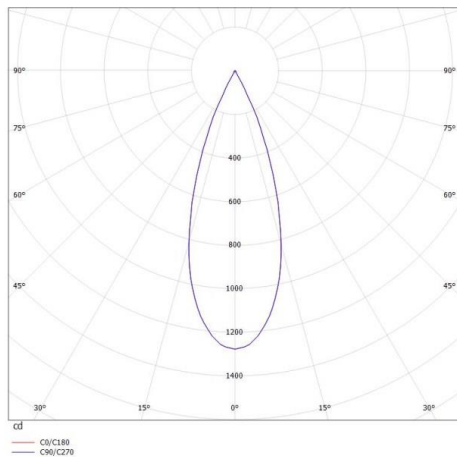
DRAWING



TECHNICAL DETAILS

System perform. [W]	8,5
Bulb type	LED
Luminous flux [lm]	450
Colour temp. [K]	3000K
CRI	>90
Converter	with converter
Dimming	not dimmable
Light output	direct
Beam angle [°]	38°
Voltage [V]	220-240V 50/60Hz
Material	aluminium
Length [mm]	132
Width [mm]	132
Height [mm]	400
Diameter [mm]	60
IP protection class	IP65
Voltage class	protection cl. I
Net weight [kg]	1,25
Colour lamp	black
RAL	9005
Electric wire	black
EAN-Number	9010506111675
Lifetime [h]	L80 B10 20 000
Energy efficiency cl.	F

LIGHT DISTRIBUTION CURVE



energy label



The values are rated values. Power and luminous flux are initially subject to a tolerance of +/- 10%. Colour temperature tolerance: +/- 150 K. The values apply to an ambient temperature of 25°C unless otherwise specified.