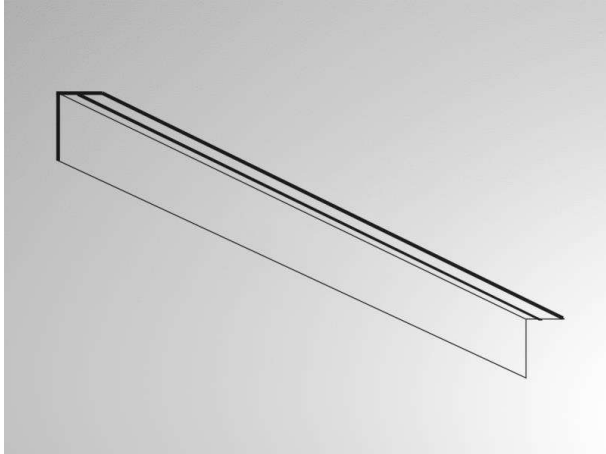


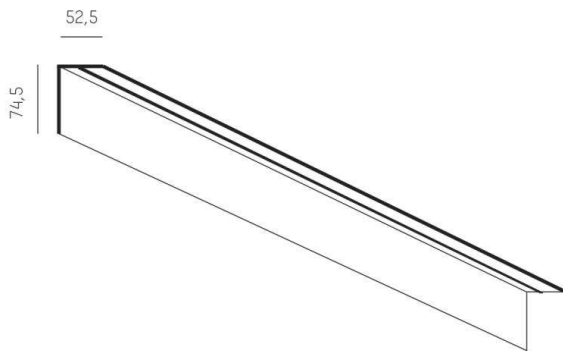
## THE LINE LED

536-22008

THE LINE PROFIL profile natural anodised, IP20



## DRAWING



## TECHNICAL DETAILS

Length [mm]	5500
Width [mm]	52,5
Height [mm]	74,5
IP protection class	IP20
Net weight [kg]	24,20
Color lamp	natural anodised
EAN-Number	9008905594519

## LIGHT DISTRIBUTION CURVE



The values are rated values. Power and luminous flux are initially subject to a tolerance of +/- 10%. Colour temperature tolerance: +/- 150 K. The values apply to an ambient temperature of 25°C unless otherwise specified.