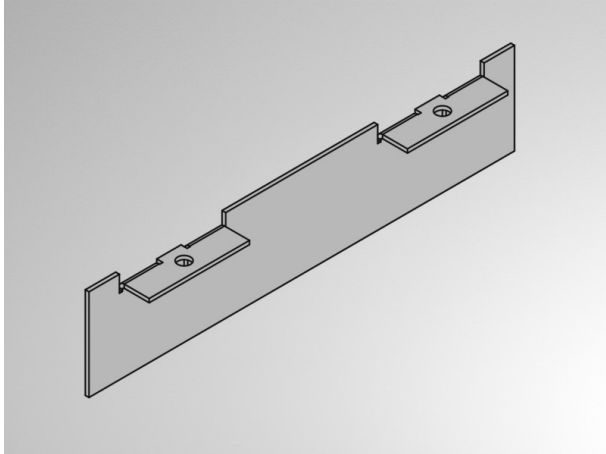


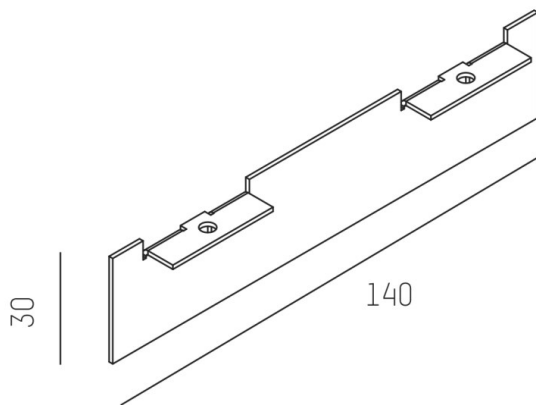
THE LINE SYSTEM

536-258

inner linear junction, galvanised



DRAWING



TECHNICAL DETAILS

| | |
|---------------------|---------------|
| Dimming | not dimmable |
| IP protection class | IP20 |
| Net weight [kg] | 0,04 |
| Colour lamp | galvanised |
| EAN-Number | 9008905594496 |

LIGHT DISTRIBUTION CURVE



energy label



The values are rated values. Power and luminous flux are initially subject to a tolerance of +/- 10%. Colour temperature tolerance: +/- 150 K. The values apply to an ambient temperature of 25°C unless otherwise specified.