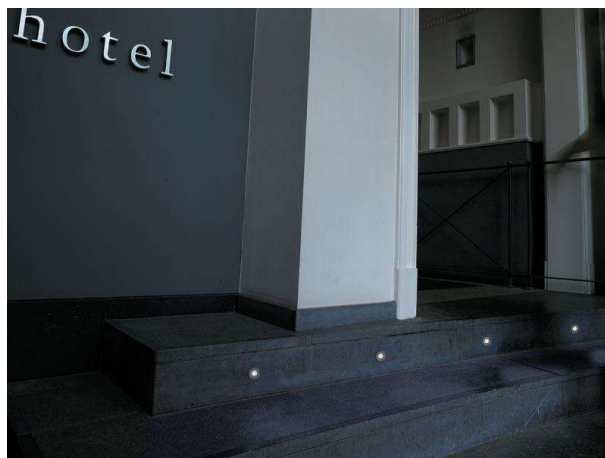


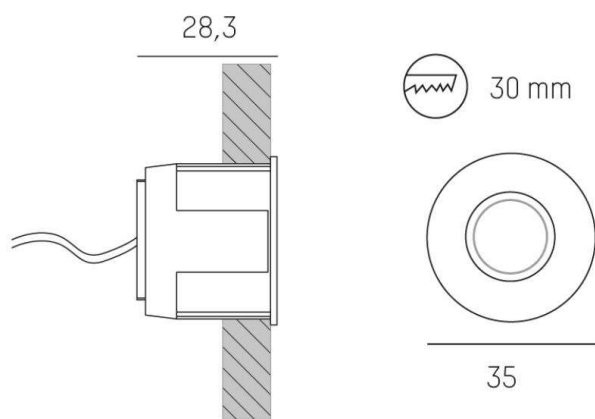
RADO

56-6111ng2

RADO WR RECESSED SPOTLIGHT made of aluminium, chrome, polycarbonate cover beam 30°, light output direct, without converter, max. 500mA, dimmability: see converter, IP54



DRAWING



LIGHT DISTRIBUTION CURVE

TECHNICAL DETAILS

System perform. [W]	2
Bulb type	LED 2W
Luminous flux [lm]	162
Current sec. [mA]	500
Colour temp. [K]	3000K
CRI	>90
Optics	polycarbonate cover
Converter	without converter
Dimming	see converter
Light output	direct
Beam angle [°]	30°
Material	aluminium
Diameter [mm]	35
Ceiling cutout [mm]	30
Recess depth [mm]	29
IP protection class	IP54
Voltage class	protection cl. III
Net weight [kg]	0,03
Colour lamp	chrome
EAN-Number	9010506813876
Lifetime [h]	50 000
Energy efficiency cl.	C



The values are rated values. Power and luminous flux are initially subject to a tolerance of +/- 10%. Colour temperature tolerance: +/- 150 K. The values apply to an ambient temperature of 25°C unless otherwise specified.