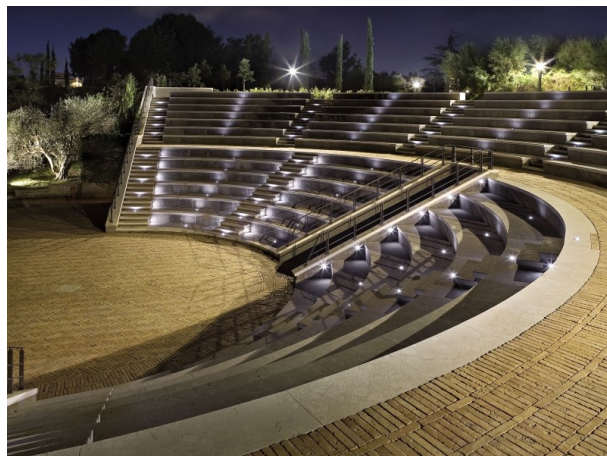
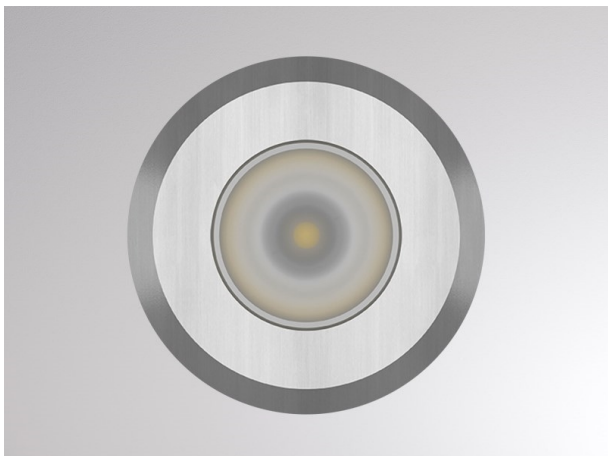


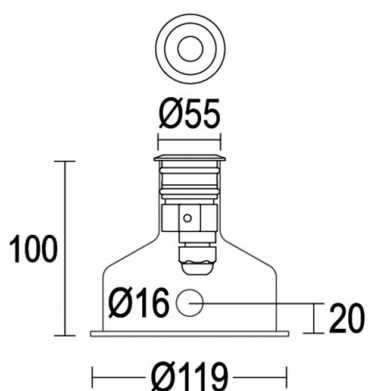
SEGNO

57-gh1009bgmt300ec15

MAXISEGNO RECESSED SPOTLIGHT made of aluminium, stainless steel, beam 36°, without converter, max. 1050mA, dimmability: see converter, IP68



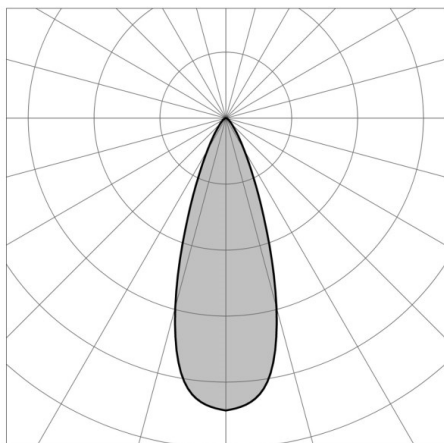
DRAWING



TECHNICAL DETAILS

System perform. [W]	3
Bulb type	LED
Luminous flux [lm]	176
Current sec. [mA]	1050
Colour temp. [K]	3000K
CRI	>90
Converter	without converter
Dimming	see converter
Beam angle [°]	36°
Material	aluminium
Diameter [mm]	119
IP protection class	IP68
Voltage class	protection cl. III
Shock resistance	IK08
Net weight [kg]	0,35
Colour lamp	stainless steel
Lifetime [h]	60 000 L80 B10

LIGHT DISTRIBUTION CURVE



The values are rated values. Power and luminous flux are initially subject to a tolerance of +/- 10%. Colour temperature tolerance: +/- 150 K. The values apply to an ambient temperature of 25°C unless otherwise specified.