

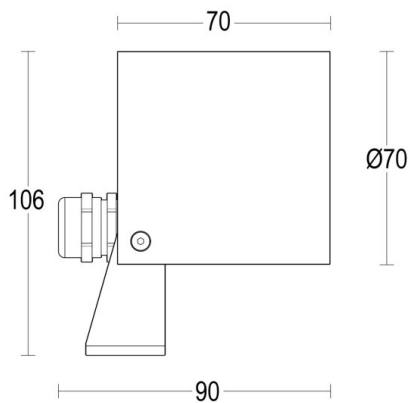
## SEGNO

## 57-gh1110lvft300en05

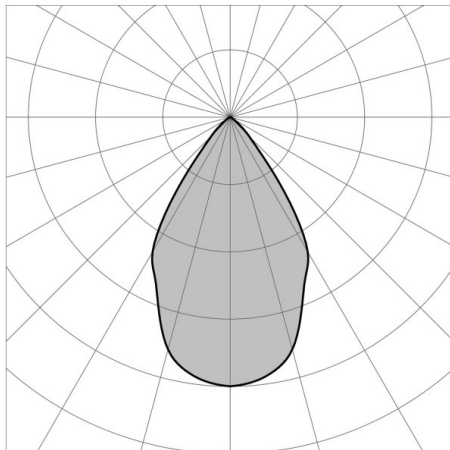
SEGNO SURFACE MOUNTED SPOTLIGHT made of aluminium, anthrazite, transparent glass beam 65°, light output direct, tilting 90°, with converter, dimmability: not dimmable, IP67



## DRAWING



## LIGHT DISTRIBUTION CURVE



## TECHNICAL DETAILS

System perform. [W]	9
Bulb type	LED
Luminous flux [lm]	525
Colour temp. [K]	3000K
CRI	>80
Optics	transparent glass
Converter	with converter
Dimming	not dimmable
Light output	direct
Beam angle [°]	65°
Voltage [V]	220-240V 50/60Hz
Material	aluminium
Length [mm]	90
Height [mm]	106
Diameter [mm]	70
IP protection class	IP67
Voltage class	protection cl. I
Shock resistance	IK06
Net weight [kg]	0,34
Colour lamp	anthrazite
Lifetime [h]	100 000 L80 B10
Energy efficiency cl.	6



The values are rated values. Power and luminous flux are initially subject to a tolerance of +/- 10%. Colour temperature tolerance: +/- 150 K. The values apply to an ambient temperature of 25°C unless otherwise specified.